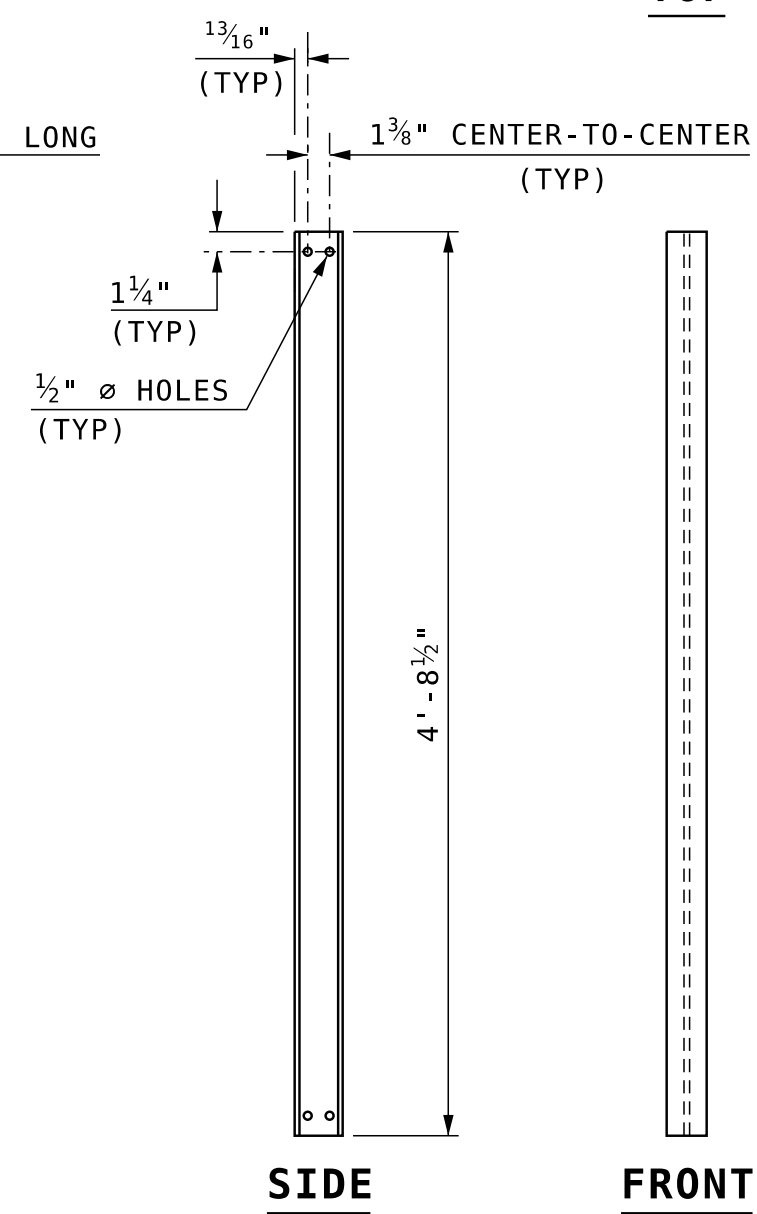


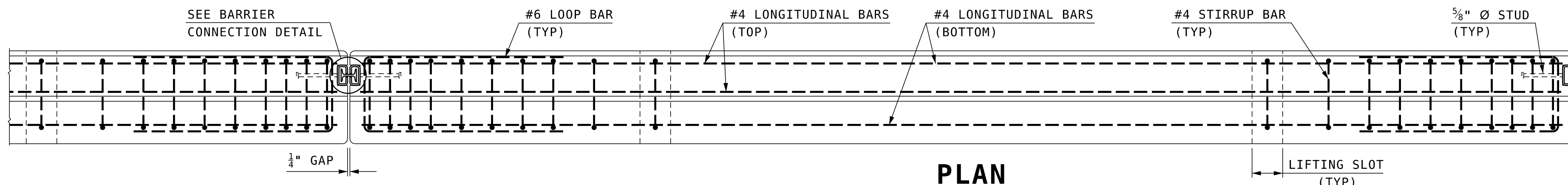
STRUCTURAL SECTION DETAILS

SCALE: 1" = 1'-0"



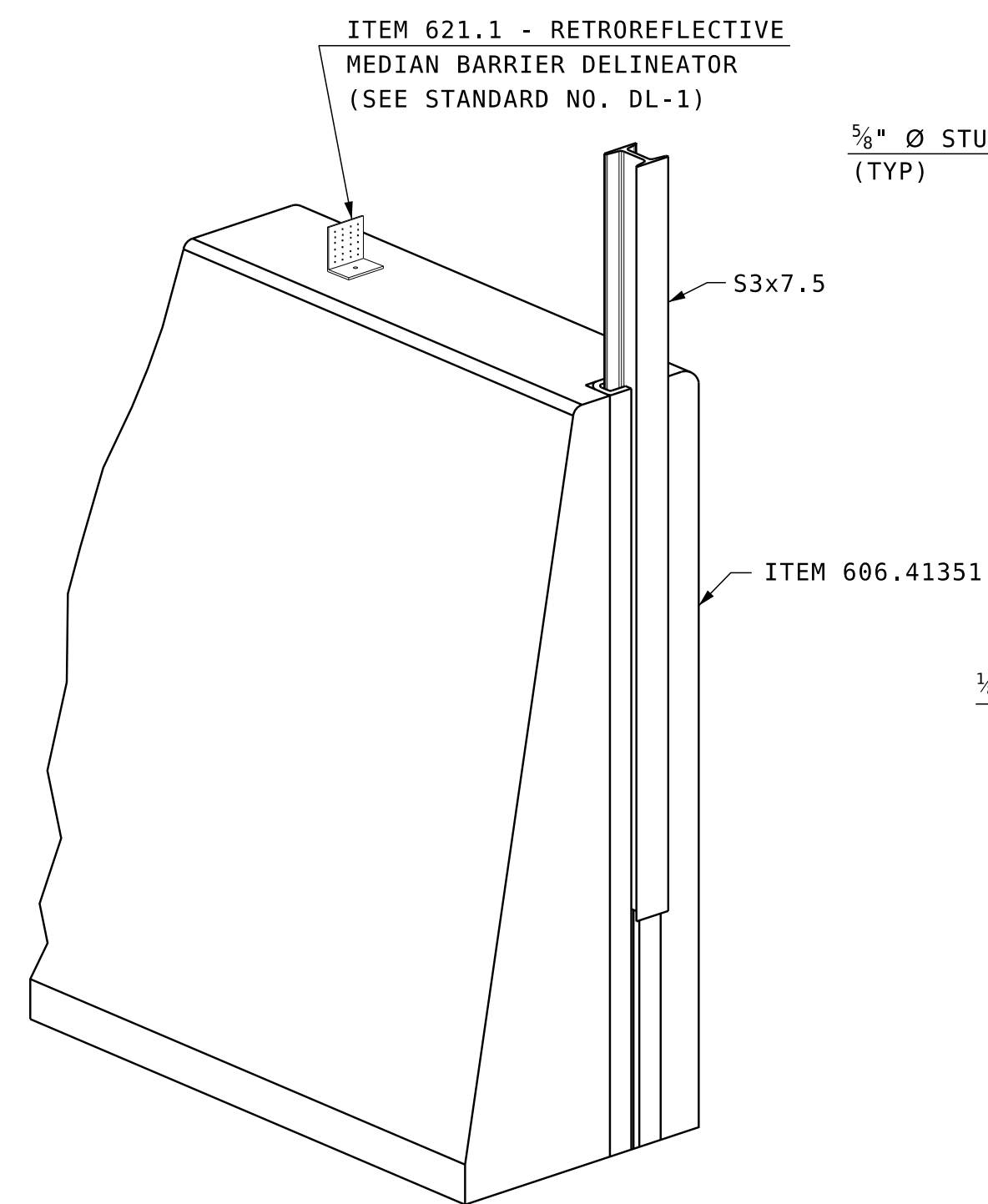
I-BEAM DETAILS

SCALE: 1" = 1'-0"



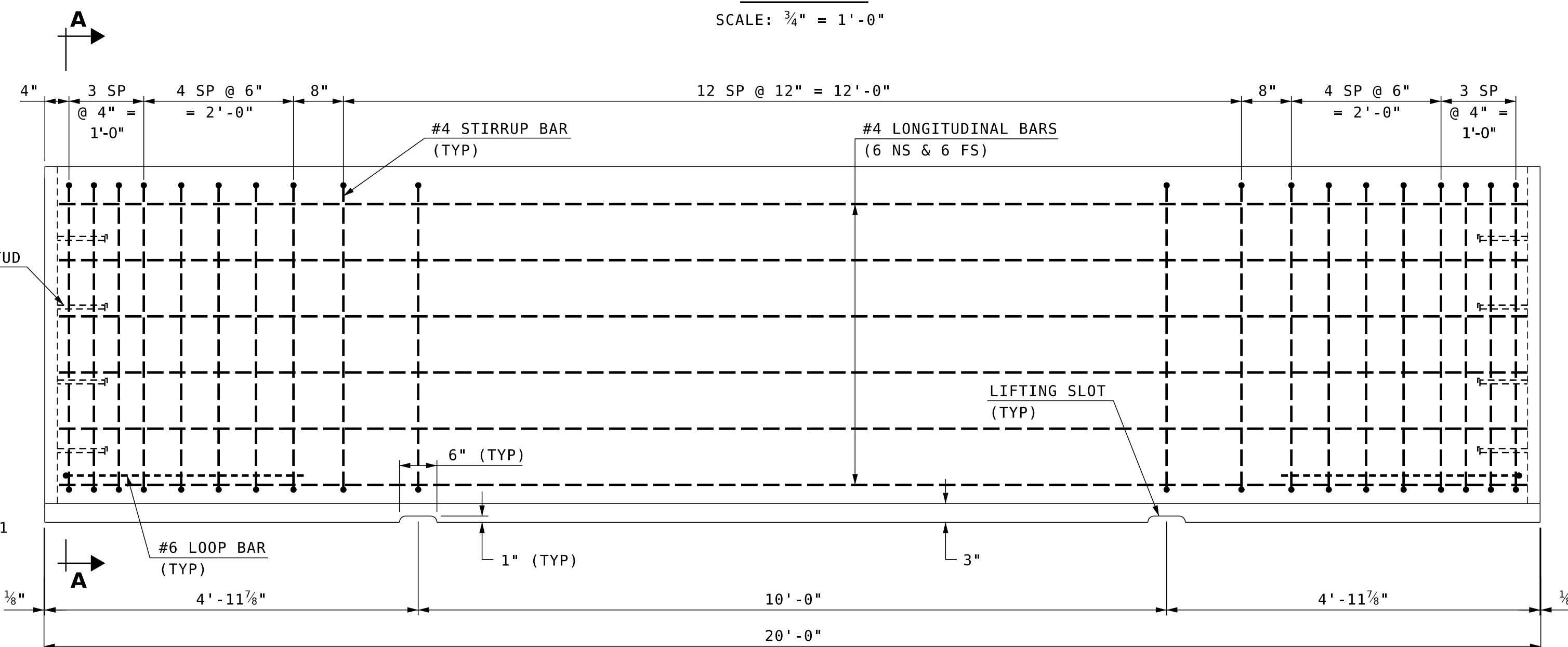
PLAN

SCALE: 3/4" = 1'-0"



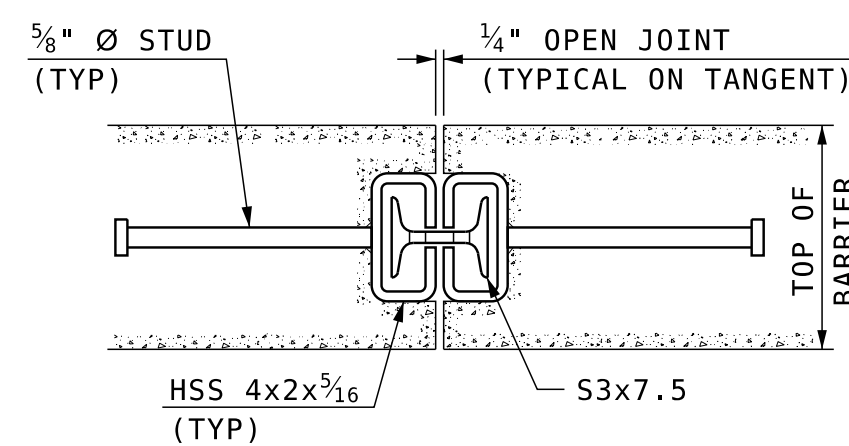
PERSPECTIVE VIEW

SCALE: 1" = 1'-0"



ELEVATION

SCALE: 3/4" = 1'-0"



BARRIER CONNECTION DETAIL

SCALE: 2" = 1'-0"

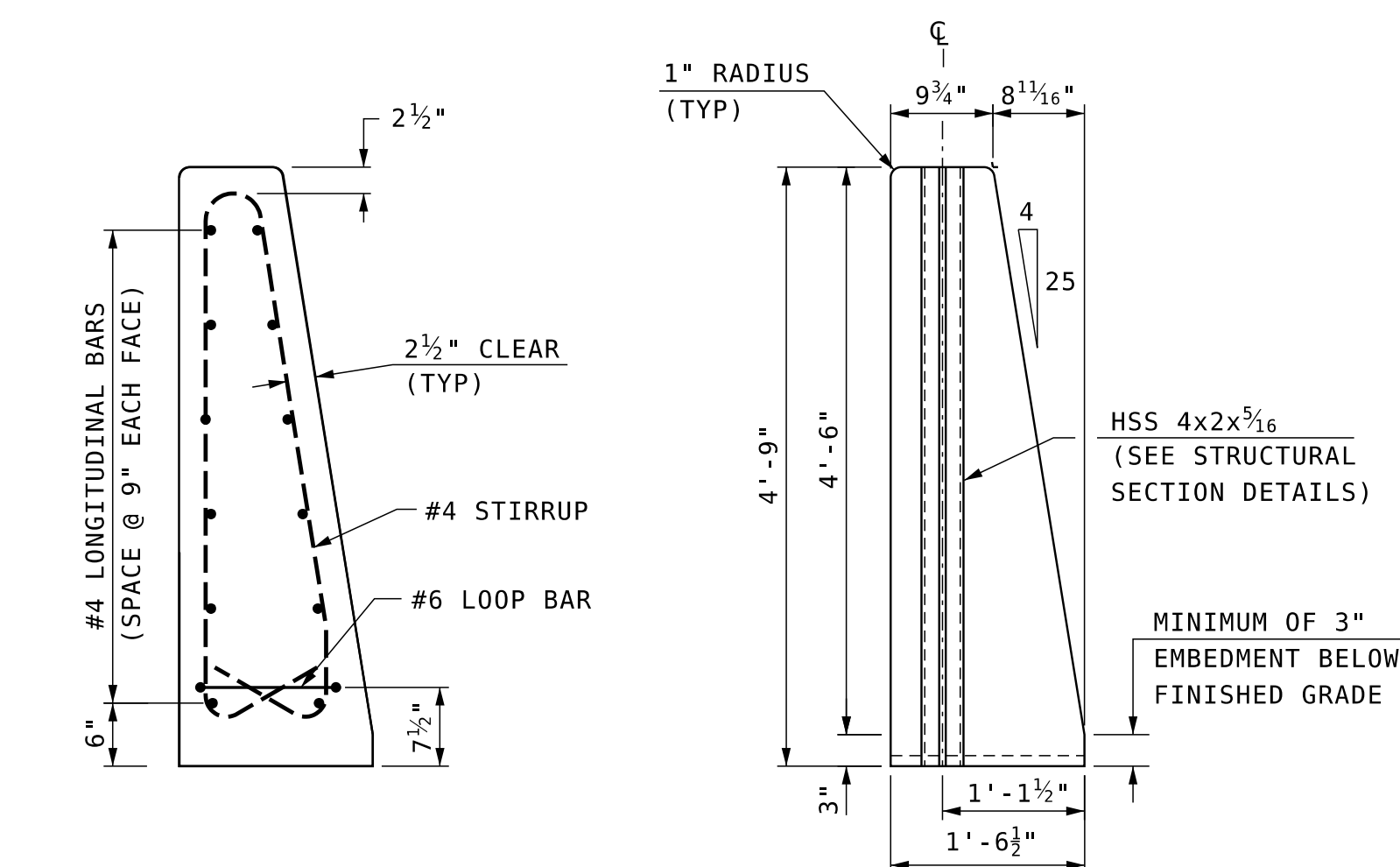
NO MODIFICATIONS SHOULD BE MADE TO THIS SHEET

GENERAL NOTES

1. CONCRETE BARRIER AND ALL ITS COMPONENTS SHALL BE FURNISHED BY THE CONTRACTOR AND PAID AS ITEM 606.41351, 54" SINGLE SLOPE CONCRETE BARRIER, SINGLE-FACED, PRECAST.
2. STUD WELDING SHALL BE IN ACCORDANCE WITH SECTION 547.
3. SLOTS IN STRUCTURAL TUBES SHALL BE CUT WITH MECHANICALLY GUIDED MEANS TO A SMOOTH, UNIFORM SURFACE MEETING A SURFACE ROUGHNESS OF 25 μ OR BETTER (ANSI B46.1).
4. CONCRETE BARRIER DETAILS SHOWN ON THIS SHEET ARE IN COMPLIANCE WITH REQUIREMENTS PER UPDATED NCHRP REPORT 350 FOR TEST NO. 5-11 (MASH TL-5), NCHRP 157 VOL. 1.

MATERIAL NOTES

1. THE BARRIERS SHALL BE LIGHT COLORED CLASS AA CONCRETE HAVING A MINIMUM 28 DAY COMPRESSIVE STRENGTH OF 4,000 PSI. BARRIERS SHALL HAVE A SMOOTH UNIFORM SURFACE FREE OF DEFECTS AND IRREGULARITIES. CASTING DATE SHALL BE SHOWN ON BARRIER. ALL EXPOSED EDGES OF CONCRETE SHALL BE CHAMFERED 3/4", UNLESS NOTED OTHERWISE.
2. I-BEAMS AND STRUCTURAL TUBES SHALL BE ASTM A36 OR A572 GALVANIZED AFTER FABRICATION, IN ACCORDANCE WITH SECTION 550.
3. ALL REINFORCING STEEL SHALL BE AASHTO M31 (ASTM A615) GRADE 60, EPOXY COATED. REINFORCEMENT SHOWN IS THE MINIMUM REQUIRED.
4. EACH BARRIER UNIT SHALL INCLUDE ONE S3x7.5.
5. SHOP DRAWINGS SHALL INCLUDE REINFORCING SCHEDULE.
6. LEVELING PADS, SHIMMING MATERIAL, AND FLOWABLE FILL SHALL BE SUBSIDIARY TO THE CONCRETE BARRIER.



SECTION A-A (REINFORCEMENT)

SCALE: 3/4" = 1'-0"

END VIEW (MASONRY)

SCALE: 3/4" = 1'-0"

CONCRETE BARRIER REINFORCING SCHEDULE				
DESCRIPTION	SIZE	NO.	UNBENT LENGTH	TYPE
LONGITUDINAL (EACH FACE)	#4	12	19'-8"	—
STIRRUPS	#4	29	10'-9 3/8"	
LOOP BAR	#6	2	7'-3"	

#6 LOOP BAR (TOP VIEW)

#4 STIRRUP BAR

SUBDIRECTORY	.DGN LOCATOR	SHEET SCALE
PIER PROTECTION	54SF-BARRIER	AS NOTED

STATE OF NEW HAMPSHIRE						
DEPARTMENT OF TRANSPORTATION * BUREAU OF BRIDGE DESIGN						
TOWN	BRIDGE NO.		STATE PROJECT			
LOCATION						
54" SS BARRIER SINGLE-FACED, PRECAST						
REVISIONS AFTER PROPOSAL	BY	DATE	BY	DATE	BRIDGE SHEET	XX OF
	DESIGNED	NHDOT 2/13	CHECKED	NHDOT 2/13		FILE NUMBER
	DRAWN	GMC 2/13	CHECKED	ABH 2/13		
	QUANTITIES	XXX XX/XX	CHECKED	XXX XX/XX		
	ISSUE DATE	9/20/13	FEDERAL PROJECT NO.	SHEET NO.	TOTAL SHEETS	
	REV. DATE	8/4/15				