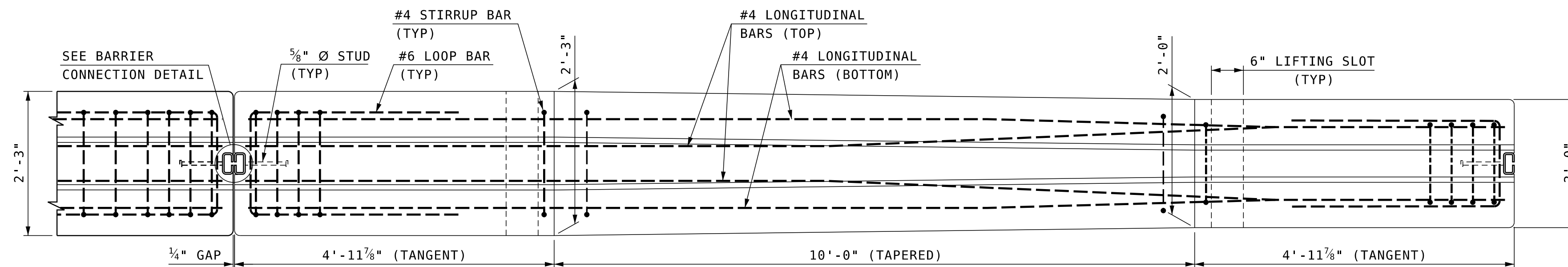
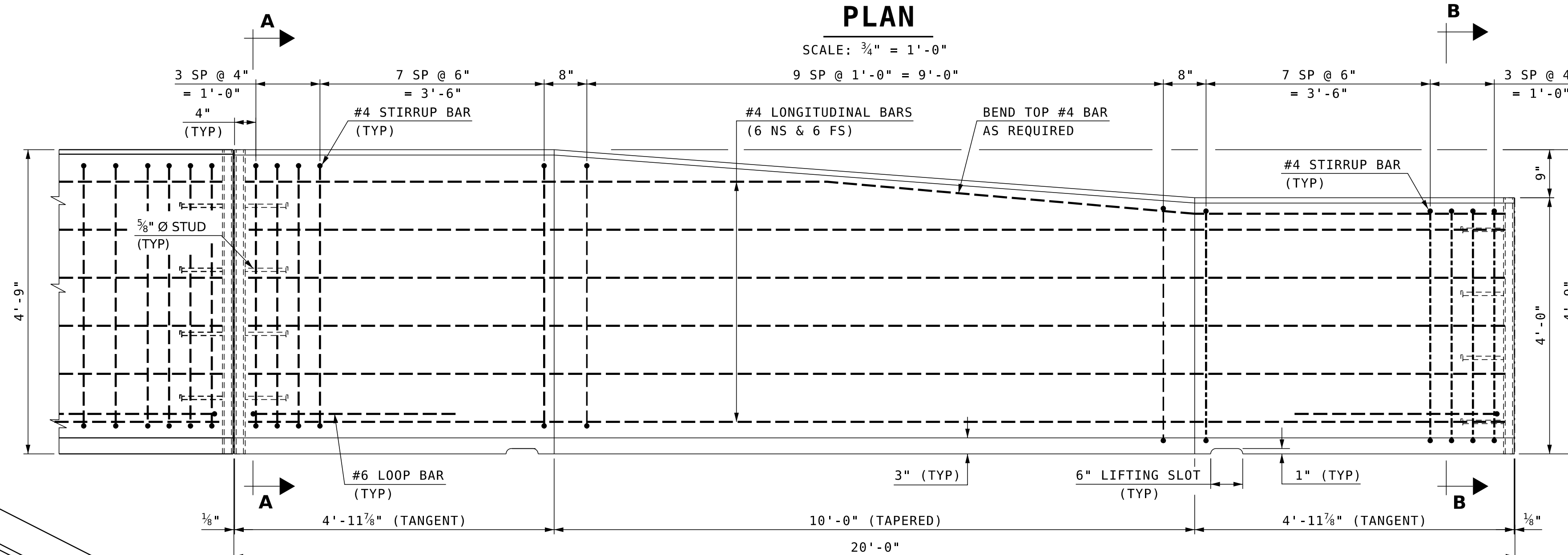


STRUCTURAL SECTION DETAILS

I-BEAM DETAILS



PLAN



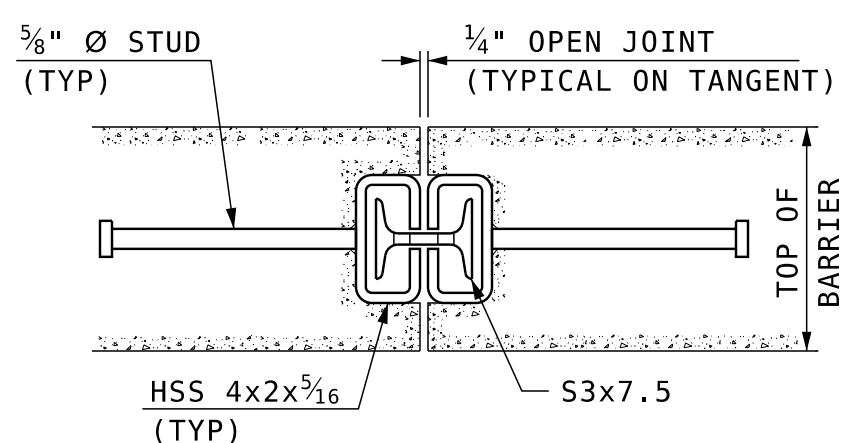
ELEVATION

**NO MODIFICATIONS
SHOULD BE MADE TO
THIS SHEET**

SCALE: 1" = 1'-0"

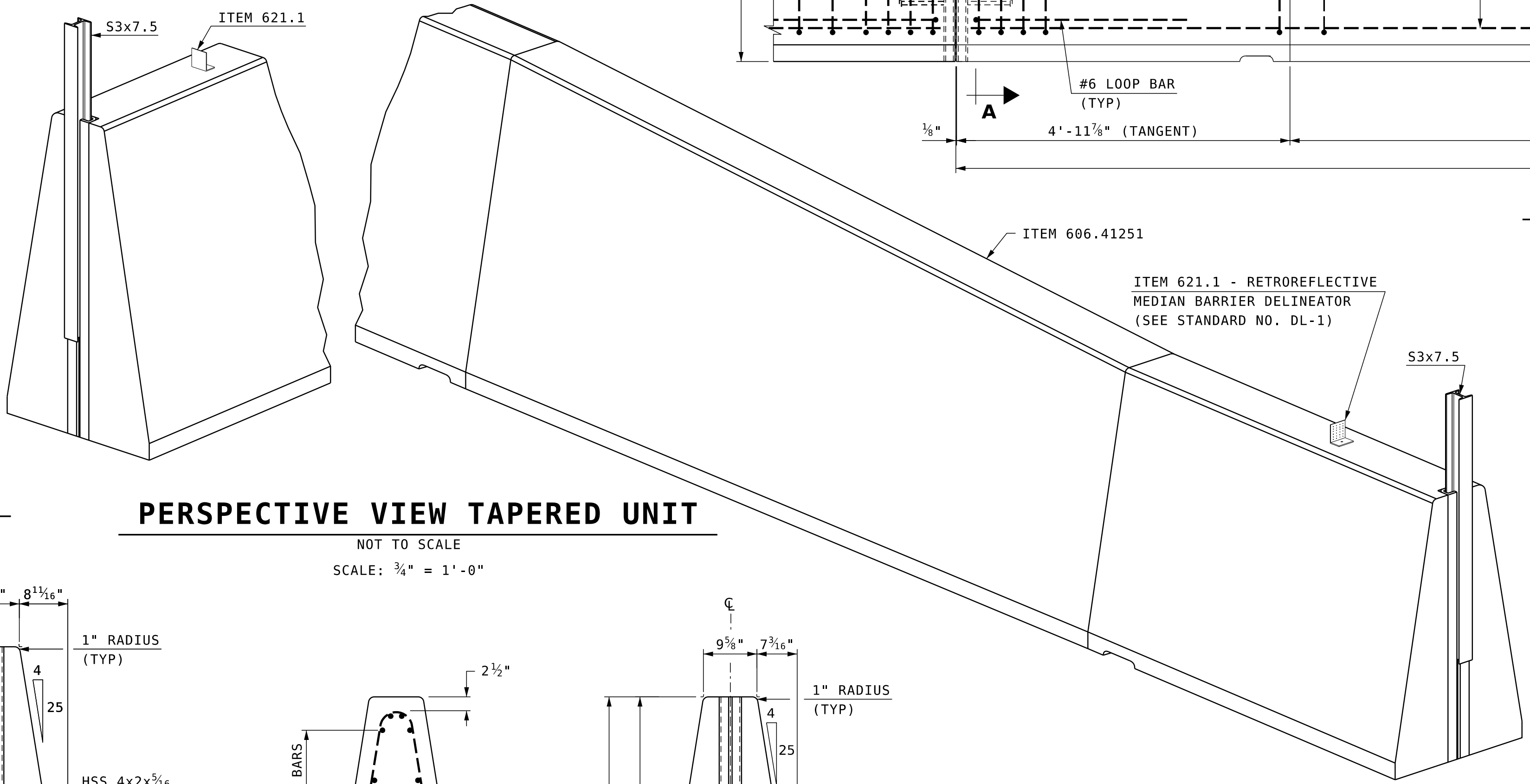
SCALE: 1" = 1'-0"

SCALE: 3/4" = 1'-0"



BARRIER CONNECTION DETAIL

SCALE: 2" = 1'-0"



PERSPECTIVE VIEW TAPERED UNIT

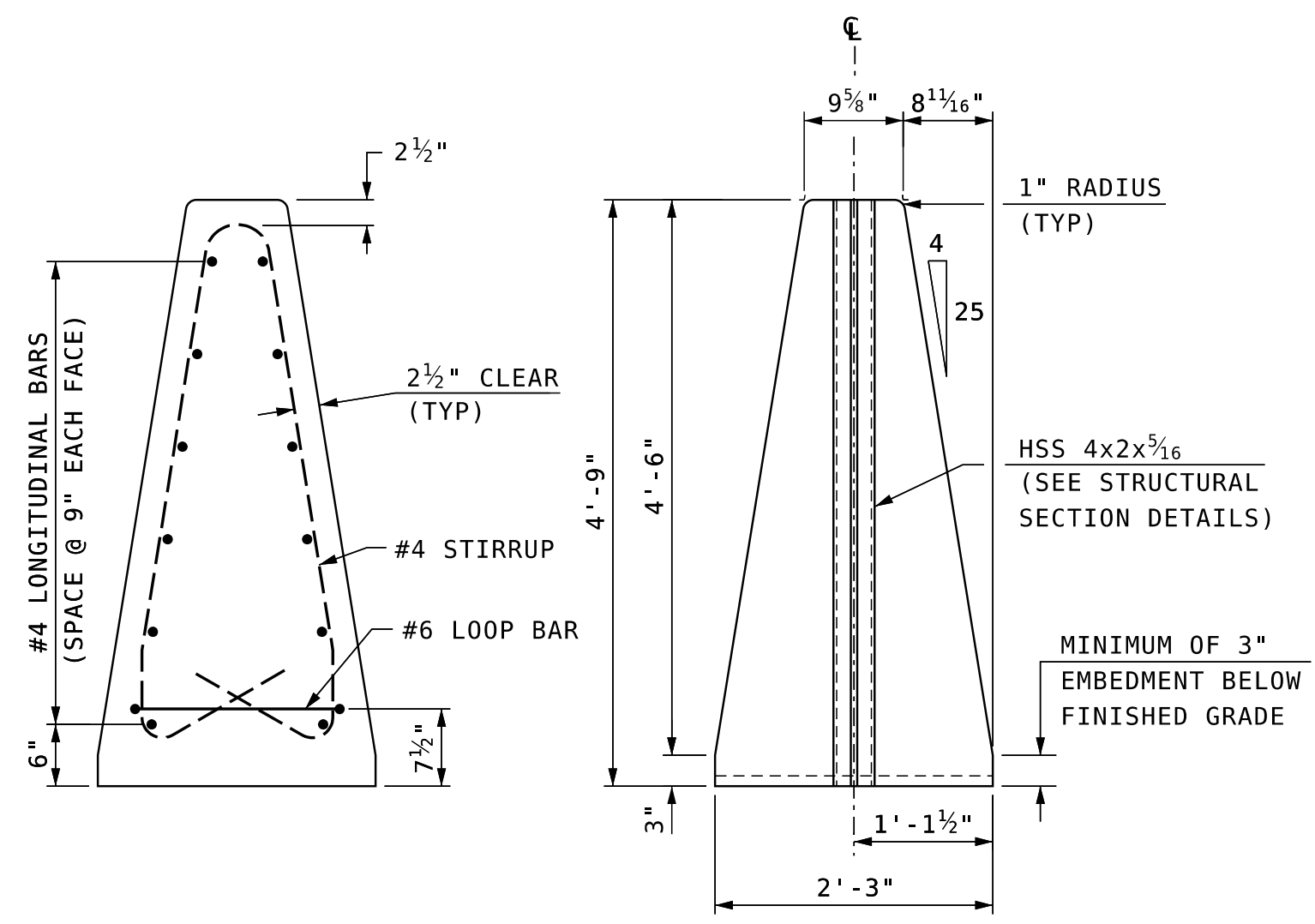
NOT TO SCALE
SCALE: 3/4" = 1'-0"

GENERAL NOTES

1. CONCRETE BARRIER AND ALL ITS COMPONENTS SHALL BE FURNISHED BY THE CONTRACTOR AND PAID AS ITEM 606.41251, 54" TO 45" TRANSITION SINGLE SLOPE CONCRETE BARRIER, PRECAST.
2. STUD WELDING SHALL BE IN ACCORDANCE WITH SECTION 547.
3. SLOTS IN STRUCTURAL TUBES SHALL BE CUT WITH MECHANICALLY GUIDED MEANS TO A SMOOTH, UNIFORM SURFACE MEETING A SURFACE ROUGHNESS OF 25 μ OR BETTER (ANSI B46.1).
4. CONCRETE BARRIER DETAILS SHOWN ON THIS SHEET ARE IN COMPLIANCE WITH REQUIREMENTS PER UPDATED NCHRP REPORT 350 FOR TEST NO. 5-11 (MASH TL-5), NCHRP 157 VOL. 1.

MATERIAL NOTES

1. THE BARRIERS SHALL BE LIGHT COLORED CLASS AA CONCRETE HAVING A MINIMUM 28 DAY COMPRESSIVE STRENGTH OF 4,000 PSI. BARRIERS SHALL HAVE A SMOOTH UNIFORM SURFACE FREE OF DEFECTS AND IRREGULARITIES. CASTING DATE SHALL BE SHOWN ON BARRIER. ALL EXPOSED EDGES OF CONCRETE SHALL BE CHAMFERED 3/4", UNLESS NOTED OTHERWISE.
2. I-BEAMS AND STRUCTURAL TUBES SHALL BE ASTM A36 OR A572 GALVANIZED AFTER FABRICATION, IN ACCORDANCE WITH SECTION 550.
3. ALL REINFORCING STEEL SHALL BE AASHTO M31 (ASTM A615) GRADE 60, EPOXY COATED. REINFORCEMENT SHOWN IS THE MINIMUM REQUIRED.
4. EACH BARRIER UNIT SHALL INCLUDE ONE S3x7.5.
5. SHOP DRAWINGS SHALL INCLUDE REINFORCING SCHEDULE.
6. LEVELING PADS, SHIMMING MATERIAL, AND FLOWABLE FILL SHALL BE SUBSIDIARY TO THE CONCRETE BARRIER.

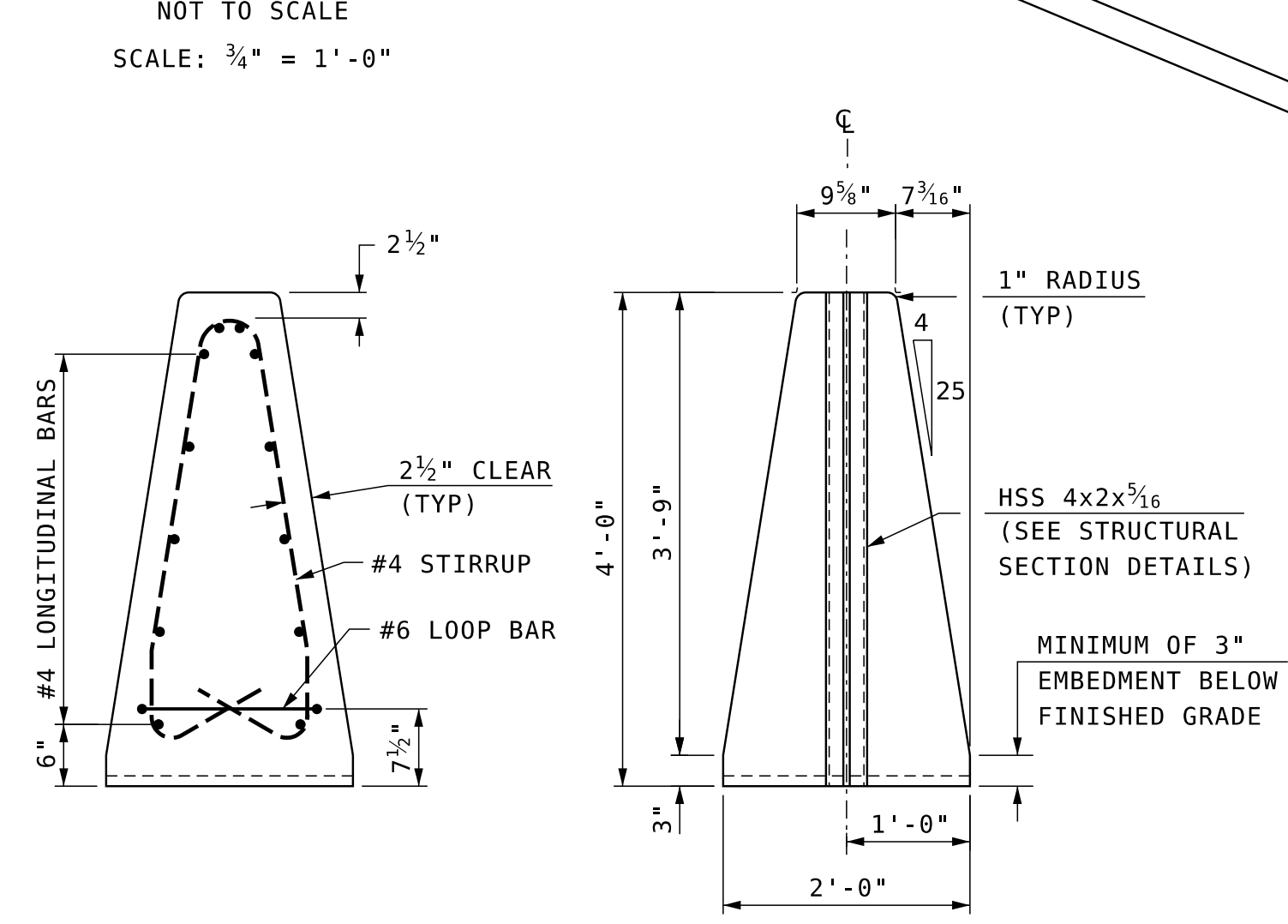


**SECTION A-A
(REINFORCEMENT)**

**SECTION A-A
(MASONRY)**

SCALE: 3/4" = 1'-0"

SCALE: 3/4" = 1'-0"



**SECTION B-B
(REINFORCEMENT)**

**SECTION B-B
(MASONRY)**

SCALE: 3/4" = 1'-0"

SCALE: 3/4" = 1'-0"

SUBDIRECTORY	.DGN LOCATOR	SHEET SCALE
PIER PROTECTION	54SS-TAPERED UNIT	AS NOTED

STATE OF NEW HAMPSHIRE DEPARTMENT OF TRANSPORTATION * BUREAU OF BRIDGE DESIGN					
TOWN	BRIDGE NO.		STATE PROJECT		
LOCATION					
54" TO 45" TRANS. SS BARRIER, PRECAST					
REVISIONS AFTER PROPOSAL	BY	DATE	BY	DATE	BRIDGE SHEET
	DESIGNED	NHDOT 2/13	CHECKED	NHDOT 2/13	XX OF
	DRAWN	GMC 2/13	CHECKED	ABH 2/13	FILE NUMBER
	QUANTITIES	XXX XX/XX	CHECKED	XXX XX/XX	
	ISSUE DATE	9/20/13	FEDERAL PROJECT NO.	SHEET NO.	TOTAL SHEETS
	REV. DATE	7/31/23			