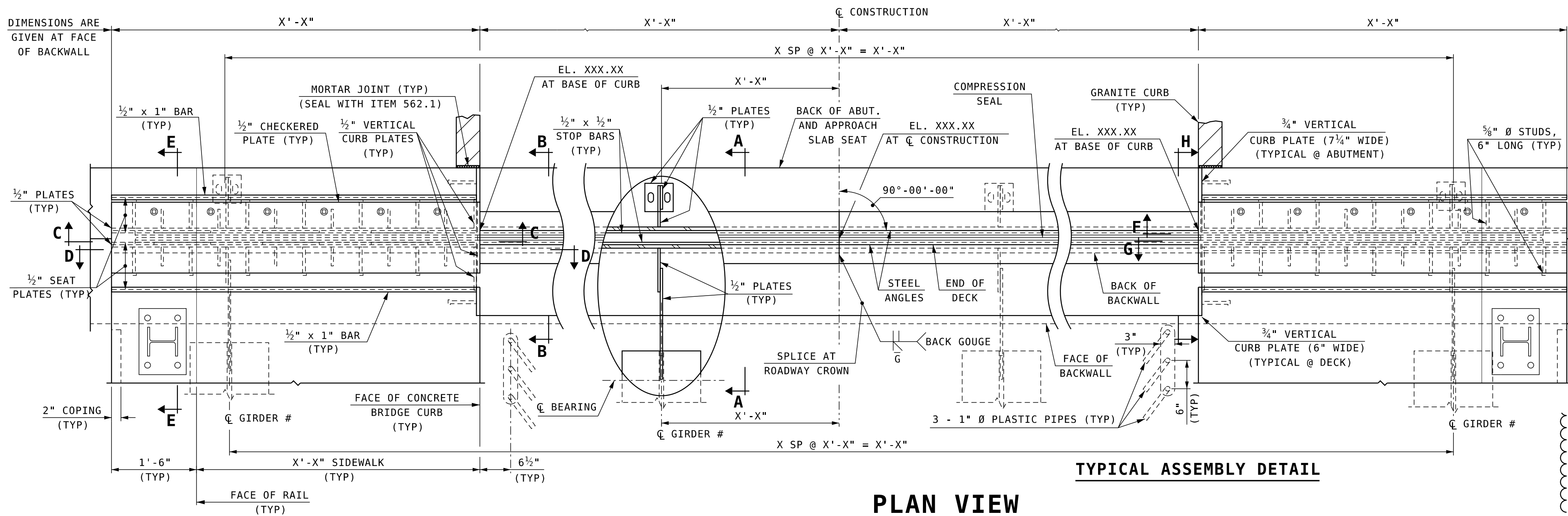


EXPANSION JOINT NOTES

- ALL EXPANSION JOINT STEEL, INCLUDING ANCHORS, SHALL BE GALVANIZED. STEEL ANGLES SHALL BE ASTM A572 GRADE 50. MINOR STEEL PLATES MAY CONFORM TO ASTM A36. THE ENTIRE ASSEMBLY, INCLUDING COMPRESSION SEAL, SHALL BE PAID FOR AS ITEM 560.1001, PREFABRICATED COMPRESSION SEAL EXPANSION JOINT (F).
- SPLICES FOR STEEL ANGLES SHALL DEVELOP FULL STRENGTH.
- EXPANSION JOINT OPENING SHALL BE ADJUSTED TO TEMPERATURE ANTICIPATED JUST PRIOR TO POURING CONCRETE. FINAL SETTING IN THE FIELD SHALL BE DETERMINED BY THE CONTRACT ADMINISTRATOR. SEE TEMPERATURE ADJUSTMENT TABLE & NOTES.
- THE COMPRESSION SEAL SHALL BE FURNISHED IN ONE CONTINUOUS LENGTH. NO SPLICES WILL BE ALLOWED. SEAL SHALL BE INSTALLED IN THE FIELD BY THE CONTRACTOR, IN ACCORDANCE WITH THE MANUFACTURER OF THE SEAL, USING AN APPROVED TOOL THAT WILL NOT DAMAGE THE SEAL.
- JOINT SUPPORT PLATES AND CURB PLATES SHALL BE SHOP WELDED TO EXPANSION JOINT STEEL AND SHALL BE NORMAL TO GRADE AFTER JOINT ASSEMBLY HAS BEEN ADJUSTED FOR ROADWAY CROSS-SLOPE AND GRADE. STEEL ANGLES SHALL BE ASSEMBLED WITH A CONSTANT JOINT OPENING TO ENSURE PROPER PERFORMANCE AND WATER TIGHTNESS.
- THE EXPANSION JOINT ASSEMBLY SHALL BE INSTALLED ONLY AFTER BOTH ABUTMENTS HAVE BEEN BACKFILLED TO WITHIN 3'-0" OF FINISHED GRADE.
- IMMEDIATELY AFTER THE JOINT HAS BEEN SECURED, REMOVE SHIPPING DEVICES AND GRIND SMOOTH ANY WELDS ON EXPOSED SURFACES. REPAIR ANY DAMAGE TO GALVANIZED SURFACES IN ACCORDANCE WITH SECTION 550.2.
- PROTECT TOP OF EXPANSION JOINT DURING PLACEMENT OF CONCRETE AND BITUMINOUS PAVEMENT.
- THE COMPRESSION SEAL HAS BEEN DESIGNED FOR A TOTAL FACTORED MOVEMENT OF XX INCHES. DESIGN INCLUDES MOVEMENT DUE TO TEMPERATURE, SKEW, SHRINKAGE AND MINIMUM INSTALLATION WIDTH. THE CONTRACTOR SHALL USE A WA-XX SEAL BY WATSON BOWMAN OR CV-XXXX BY D.S. BROWN (SHOWN), AS NOTED IN THE QPL.
- ELEVATIONS SHOWN AT TOP OF ANGLES ARE 1/8" LOWER THAN PROPOSED FINISHED ROADWAY GRADE.
- ANGLES 6" x 4" x 3/4" SHALL BE UTILIZED FOR SEALS LESS THAN 5" (HEIGHT). FOR SEALS GREATER THAN OR EQUAL TO 5" (HEIGHT) STEEL ANGLES SHALL BE 8" x 4" x 3/4".
- PRIOR TO INSTALLING THE SEAL, ALL TEMPORARY FORM WORK SHALL BE REMOVED. STEEL ANGLES AND STOP BARS SHALL BE MAINTAINED FREE FROM DIRT, WATER AND ANY OTHER LOOSE DEBRIS, WITH THE USE OF COMPRESSED AIR, TO ENSURE PROPER FIT OF THE SEAL. CARE SHALL BE TAKEN NOT TO DAMAGE GALVANIZED SURFACES.
- A TEMPORARY SEAL(S) SHALL BE INSTALLED PRIOR TO THE START OF THE WINTER MAINTENANCE PERIOD FOR ALL JOINT ASSEMBLIES OR PORTIONS THEREOF THAT WILL BE IN PLACE THROUGHOUT THE WINTER. ALL TEMPORARY SEALS SHALL BE REMOVED AND JOINT OPENINGS AND SUBSTRUCTURE SHALL BE CLEANED PRIOR TO INSTALLING THE FINAL SEAL. ALL COSTS SHALL BE SUBSIDIARY TO ITEM 560.1001.

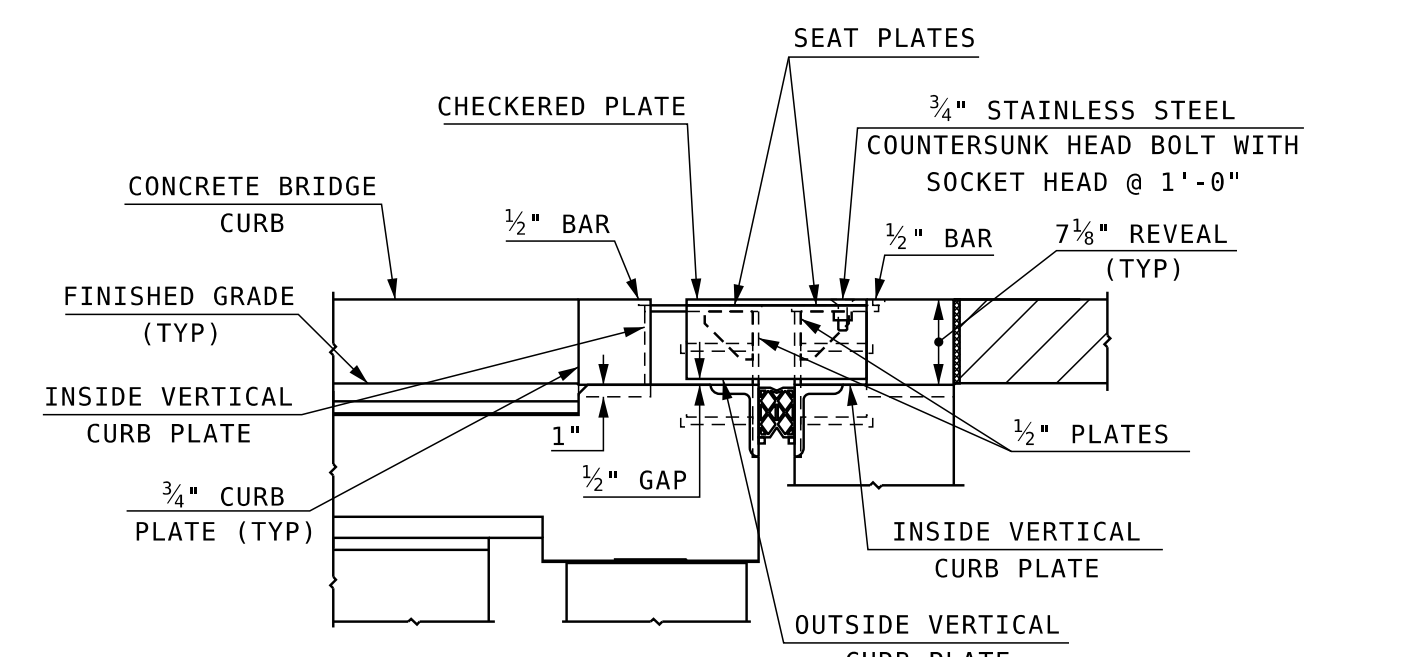
MODIFY SHEET AS REQUIRED TO PROJECT DETAILS (SKEW, PROFILE, PHASING, RAIL POST LOCATION, ALL PERTINENT DETAILS, ETC). PROVIDE ADDITIONAL SHEETS AS REQUIRED.



TYPICAL ASSEMBLY DETAIL

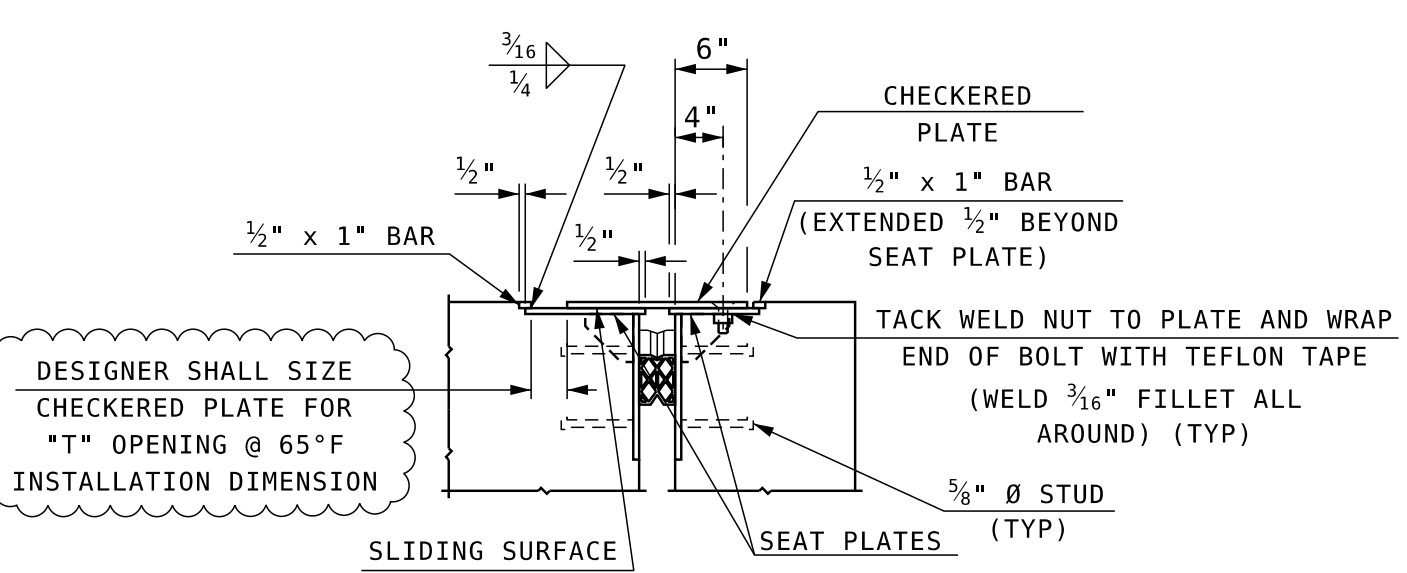
PLAN VIEW

SCALE: 3/4" = 1'-0"



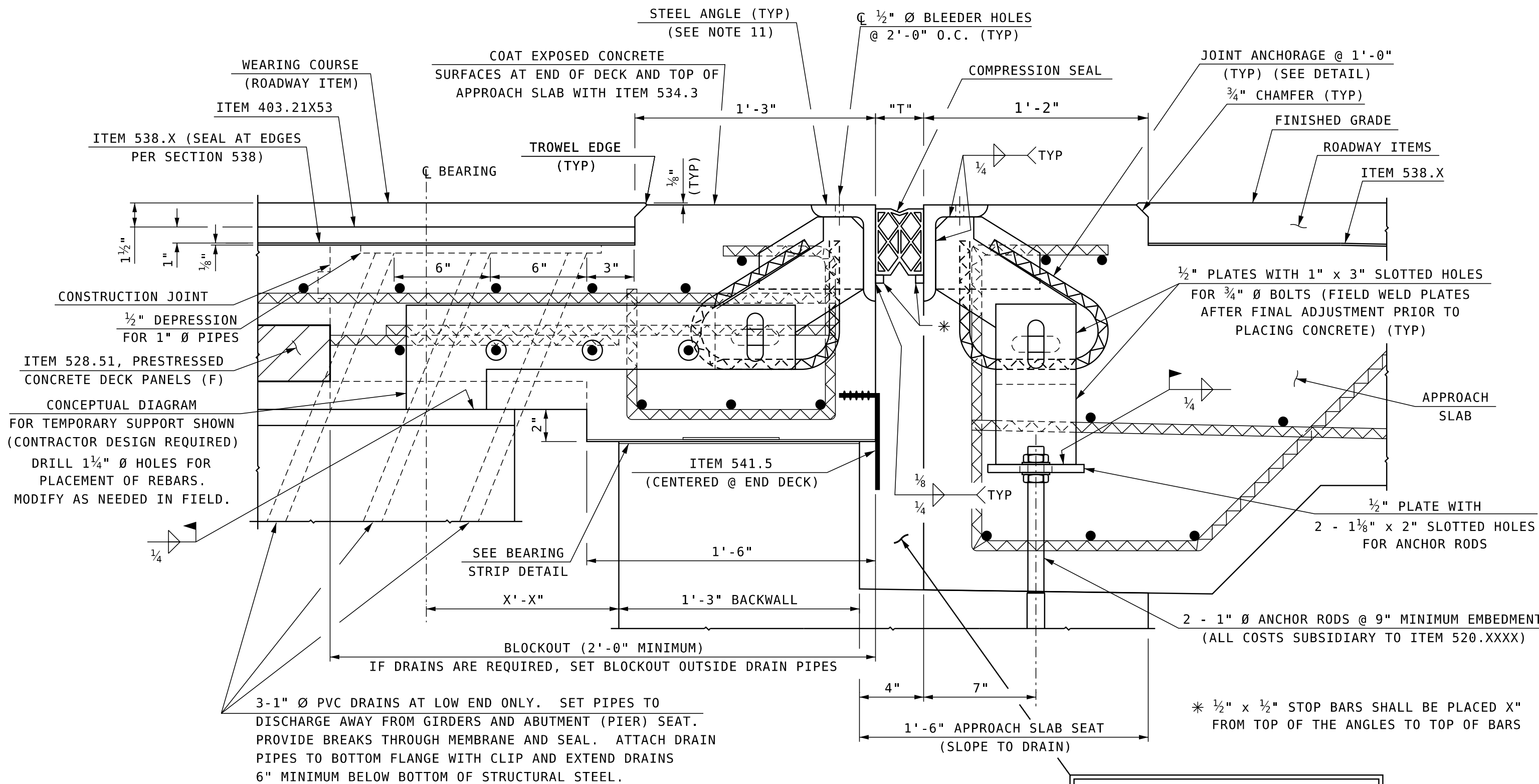
SECTION B-B

SCALE: 3/4" = 1'-0"



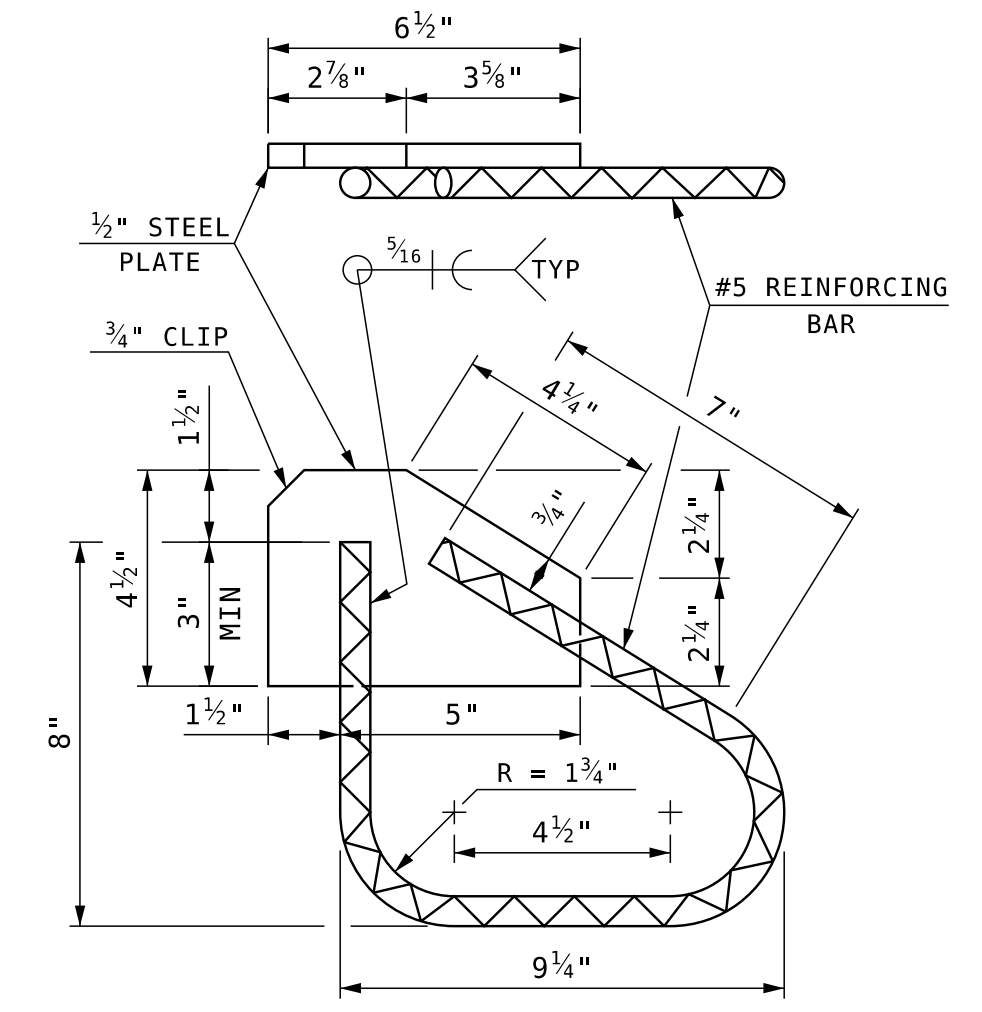
SECTION E-E

SCALE: 3/4" = 1'-0"



SECTION A-A

SCALE: 2" = 1'-0"



ANCHOR DETAIL (90° CROSSING)

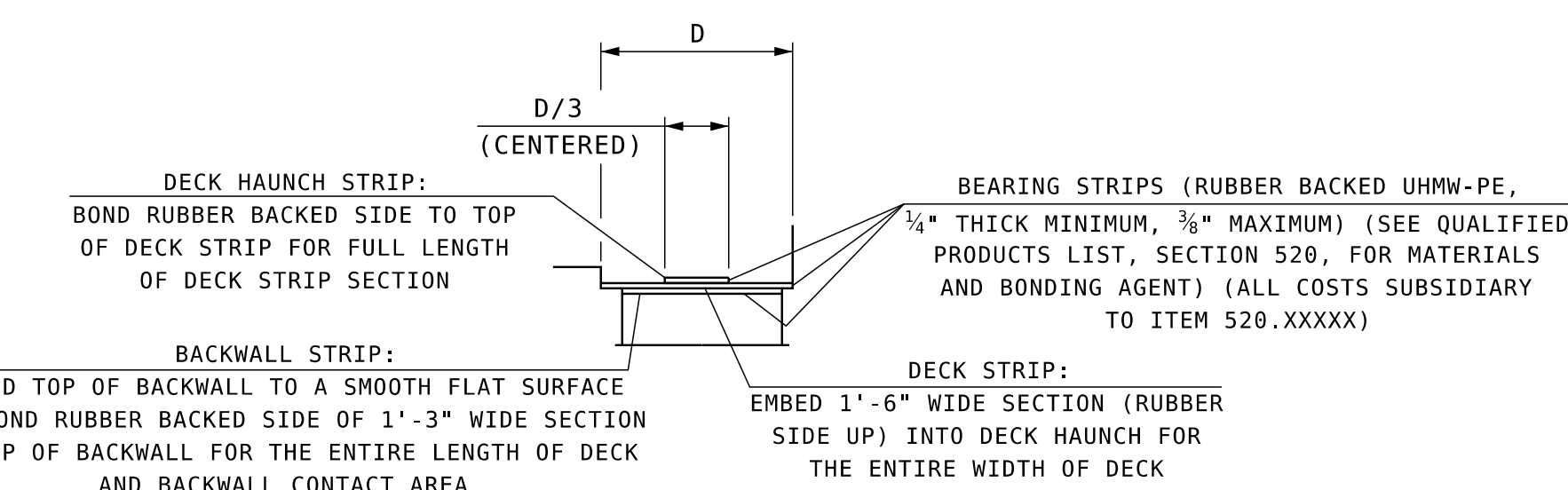
SCALE: 3" = 1'-0"

TEMPERATURE ADJUSTMENT NOTES

- "T" DIMENSIONS ARE PERPENDICULAR TO FACE OF BACKWALL.
- MINIMUM "T" WIDTH FOR SEAL INSTALLATION = X" (APPROXIMATELY 65°F OR LESS).
- VALUES IN THE TEMPERATURE ADJUSTMENT TABLE ARE FOR SETTING THE EXPANSION JOINT ASSEMBLY IMMEDIATELY PRIOR TO POURING THE DECK BLOCKOUT.

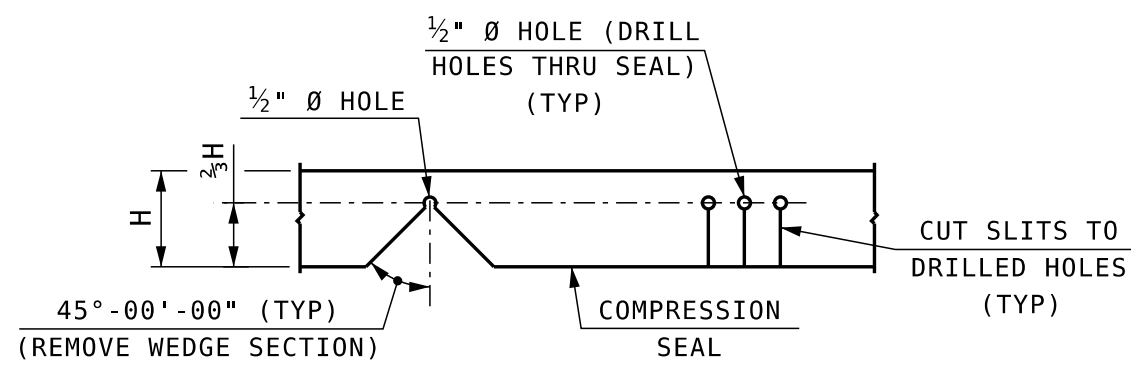
TEMPERATURE ADJUSTMENT TABLE

| TEMPERATURE | "T" |
|-------------|-----|
| 20°F | X |
| 35°F | X |
| 50°F | X |
| 65°F | X |
| 80°F | X |
| 95°F | X |



BEARING STRIP DETAIL

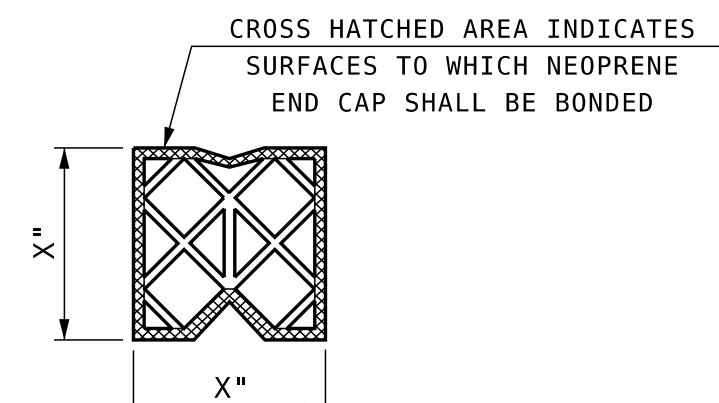
NOT TO SCALE



DOWN TURN CUT UP TURN CUT

RELIEF CUT DETAILS

NOT TO SCALE

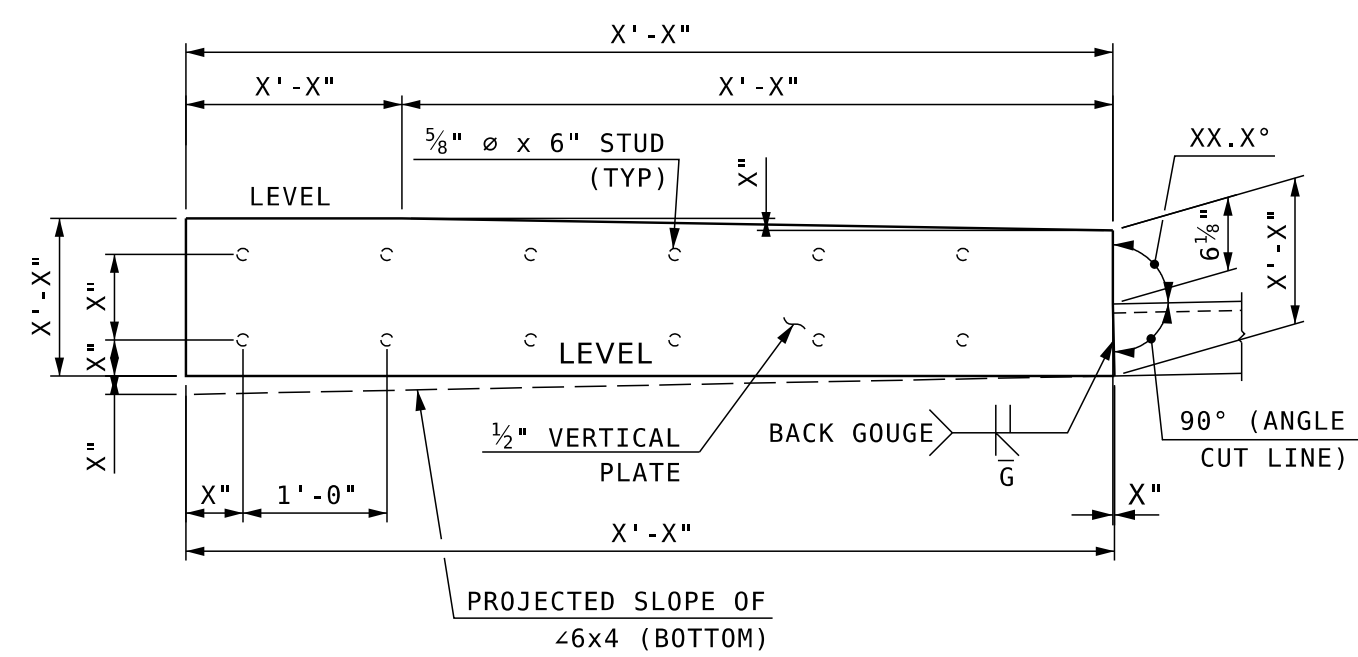


UNCOMPRESSED SEAL

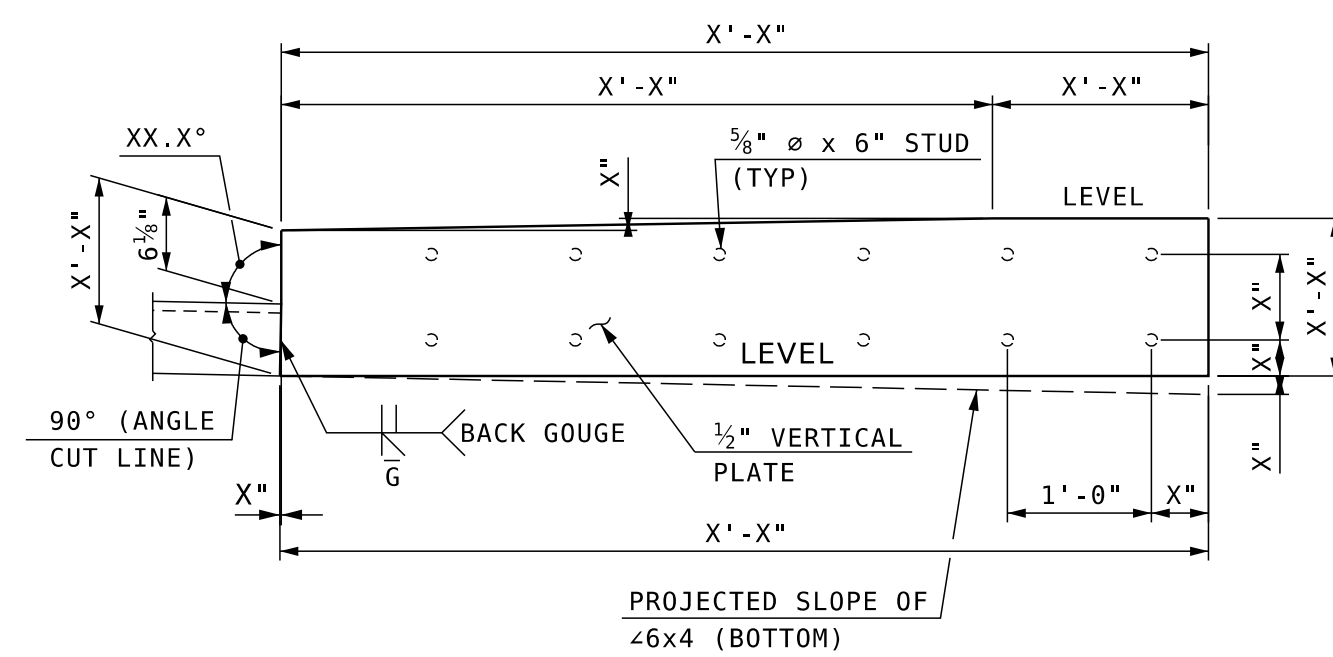
NOT TO SCALE

| SUBDIRECTORY | DGN LOCATOR | SHEET SCALE |
|------------------|--------------|-------------|
| EXPANSION JOINTS | COMP-SEAL-SW | AS NOTED |

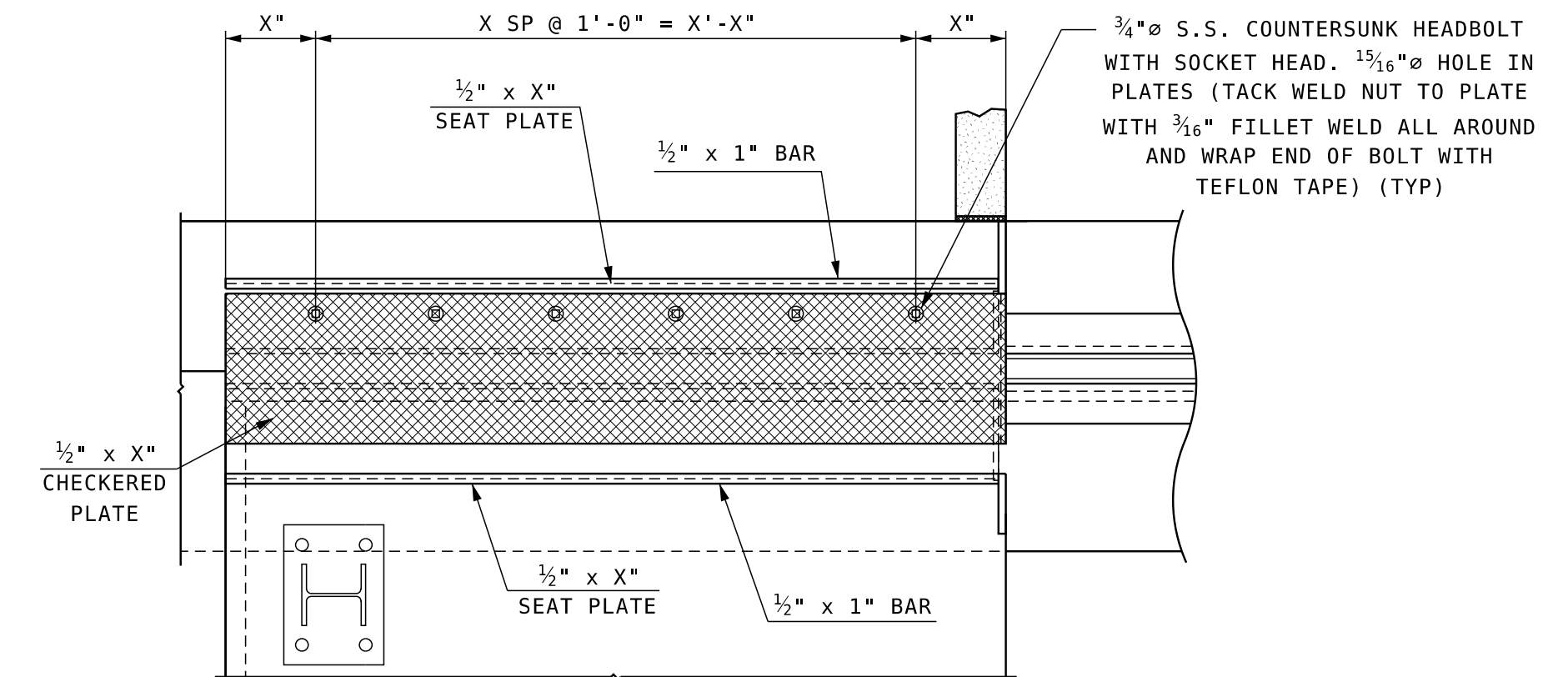
| STATE OF NEW HAMPSHIRE | | | | | | | | | |
|--|------------|------------|---------------------|------------|-----------------|--|--|--|--|
| DEPARTMENT OF TRANSPORTATION * BUREAU OF BRIDGE DESIGN | | | | | | | | | |
| TOWN | BRIDGE NO. | | | | STATE PROJECT | | | | |
| COMPRESSION SEAL EXP. JOINT (1 OF 2) | | | | | | | | | |
| REVISIONS AFTER PROPOSAL | BY | DATE | BY | DATE | BRIDGE SHEET OF | | | | |
| | DESIGNED | NHDOT 9/87 | CHECKED | NHDOT 9/87 | FILE NUMBER | | | | |
| | DRAWN | PJP 4/13 | CHECKED | ABH 4/13 | | | | | |
| | QUANTITIES | XXX XX/XX | CHECKED | XXX XX/XX | | | | | |
| | ISSUE DATE | 9/87 | FEDERAL PROJECT NO. | SHEET NO. | TOTAL SHEETS | | | | |
| | REV. DATE | 7/31/23 | | | | | | | |



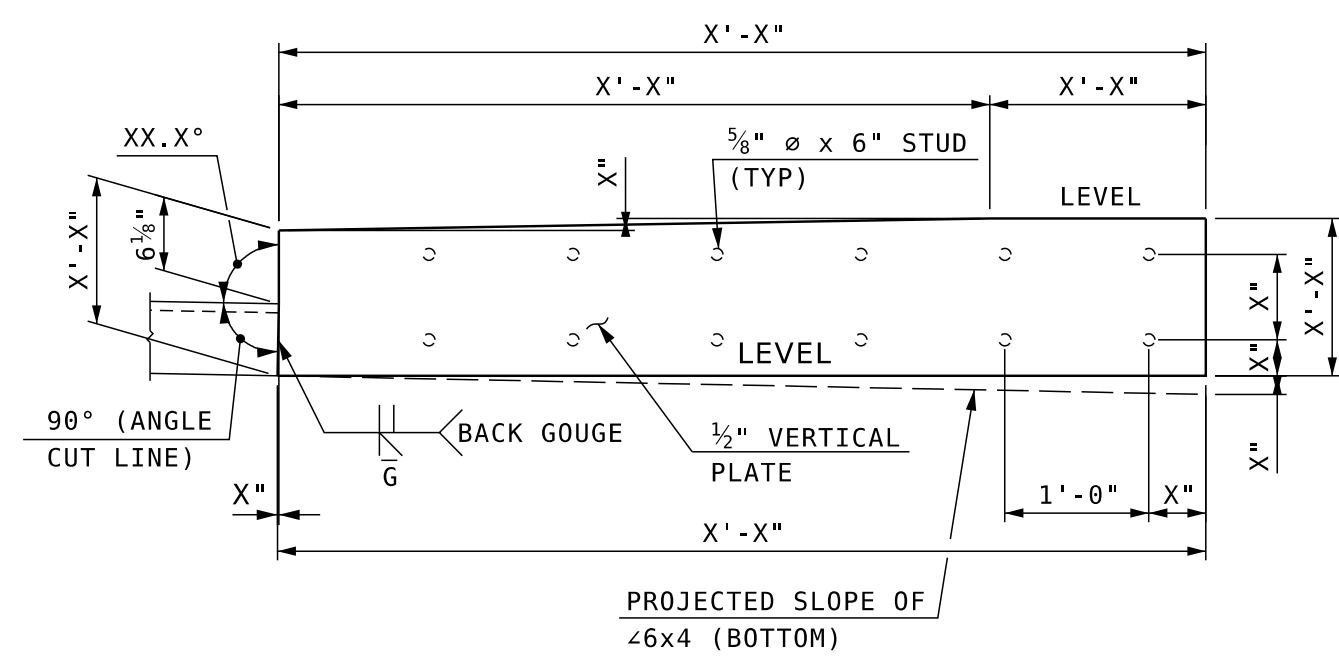
SECTION C-C PLATE
(ABUTMENT SIDE)
SCALE: 3/4" = 1'-0"



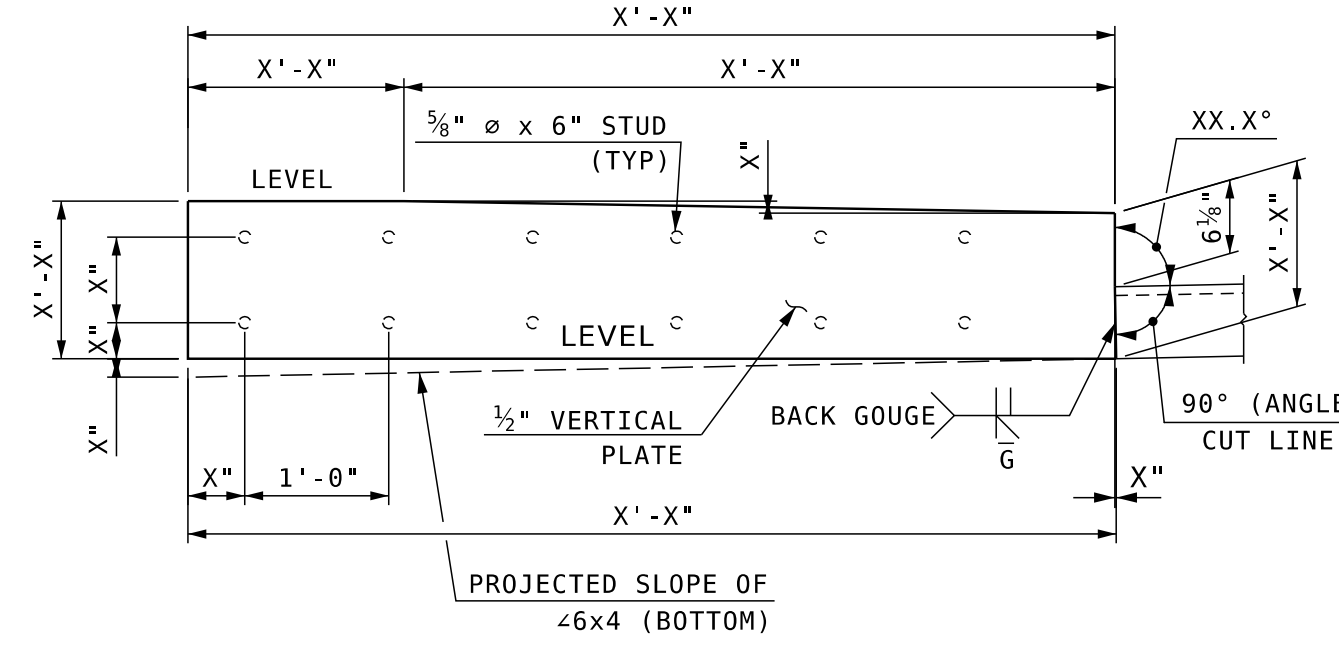
SECTION D-D PLATE
(DECK SIDE)
SCALE: 3/4" = 1'-0"



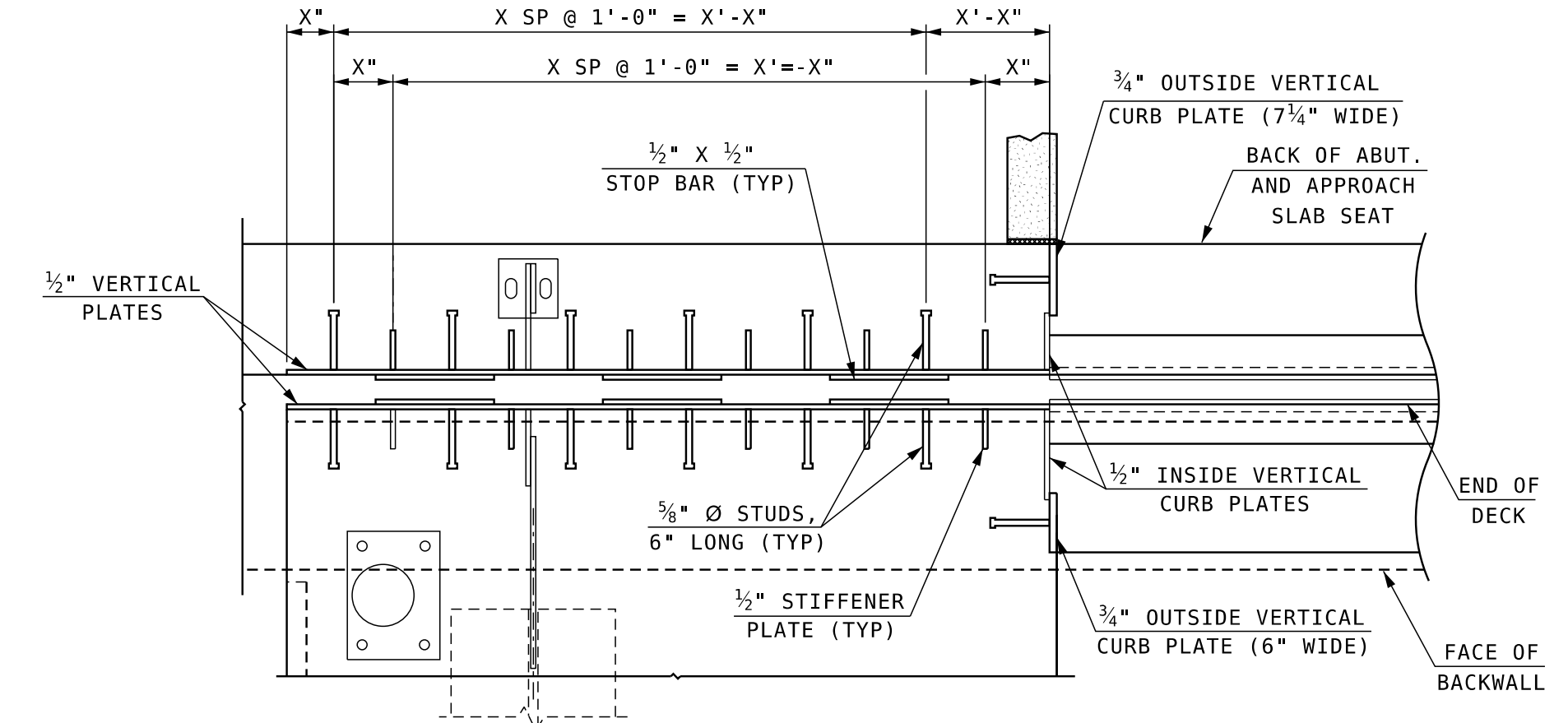
SIDEWALK UPPER ASSEMBLY
SCALE: 3/4" = 1'-0"



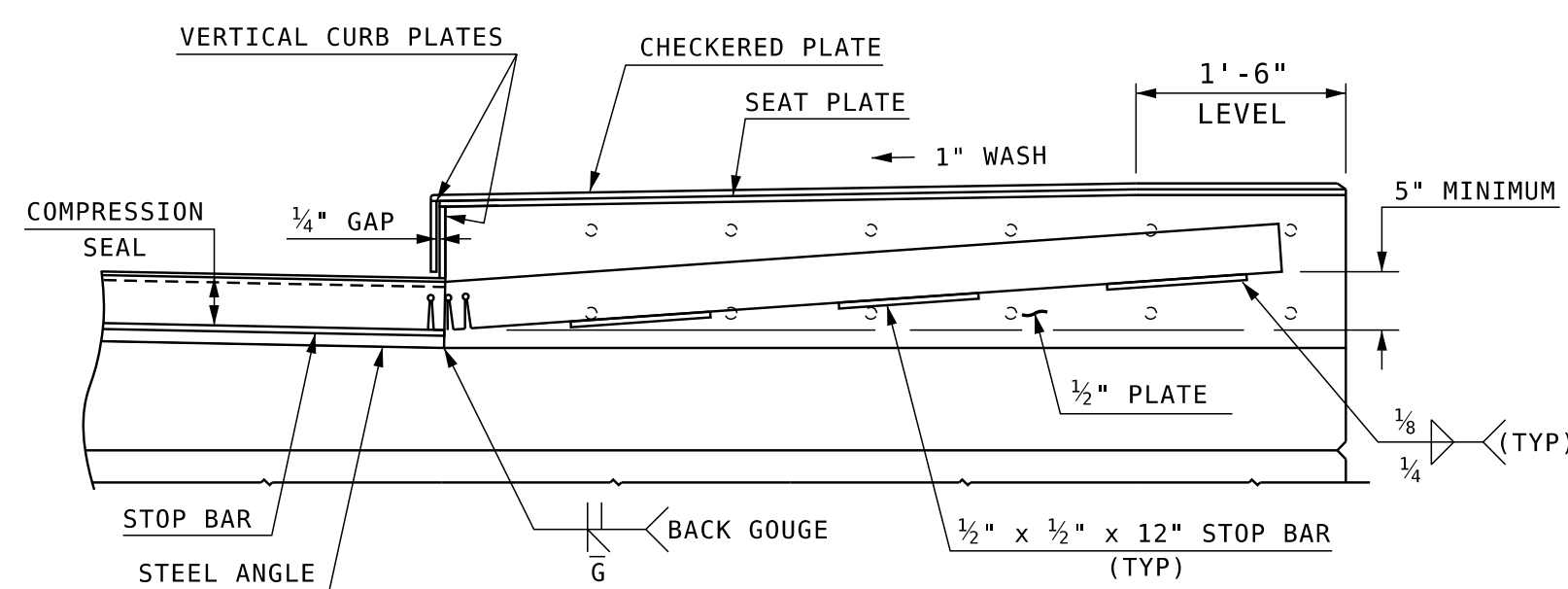
SECTION F-F PLATE
(ABUTMENT SIDE)
SCALE: 3/4" = 1'-0"



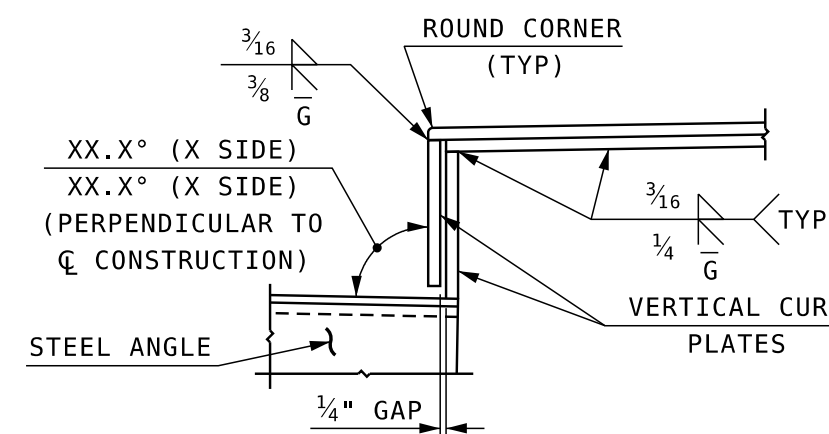
SECTION G-G PLATE
(DECK SIDE)
SCALE: 3/4" = 1'-0"



SIDEWALK LOWER ASSEMBLY
SCALE: 3/4" = 1'-0"



SECTION D-D
SCALE: 3/4" = 1'-0"



SIDEWALK CURB
NOT TO SCALE

| STATE OF NEW HAMPSHIRE | | | | | | | | | |
|--|--|------------|--|---------|--|---------------------|--|--------------|--|
| DEPARTMENT OF TRANSPORTATION * BUREAU OF BRIDGE DESIGN | | | | | | | | | |
| TOWN | | BRIDGE NO. | | | | STATE PROJECT | | | |
| LOCATION | | | | | | | | | |
| COMPRESSION SEAL EXP. JOINT (2 OF 2) | | | | | | | | | |
| REVISIONS AFTER PROPOSAL | | BY | | DATE | | BY | | DATE | |
| | | DESIGNED | | NHDOT | | CHECKED | | NHDOT | |
| | | DRAWN | | PJP | | CHECKED | | ABH | |
| | | QUANTITIES | | XXX | | CHECKED | | XXX | |
| | | ISSUE DATE | | 9/87 | | FEDERAL PROJECT NO. | | SHEET NO. | |
| | | REV. DATE | | 1/10/23 | | | | TOTAL SHEETS | |

| | | |
|------------------|--------------|-------------|
| SUBDIRECTORY | .DGN LOCATOR | SHEET SCALE |
| EXPANSION JOINTS | COMP-SEAL-SW | AS NOTED |