

NEW HAMPSHIRE DEPARTMENT OF TRANSPORTATION



BUREAU OF BRIDGE DESIGN

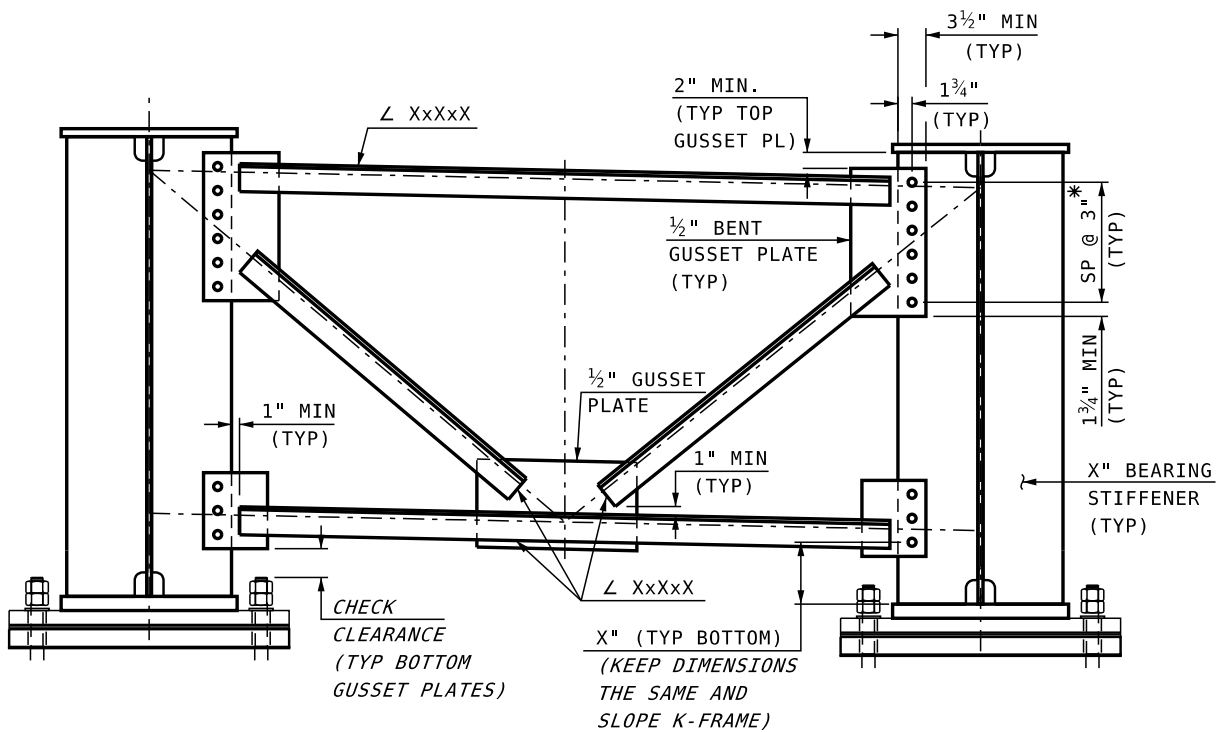


DESCRIPTION:

**STEEL GIRDER DETAILS -
K-FRAME AT ABUTMENT**

DATE REVISED:

10/13/23



NOTE TO DESIGNER:
THIS K-FRAME CONFIGURATION
CAN BE USED AT ABUTMENTS
WITH DECK OVER BACKWALL.

* TYPICAL SPACING.
DESIGN PER AASHTO
LRFD 6.13.2.6

K-FRAME (SKEWED AT ABUTMENTS)

MODIFY TO
FIT PROJECT

NEW HAMPSHIRE DEPARTMENT OF TRANSPORTATION



BUREAU OF BRIDGE DESIGN

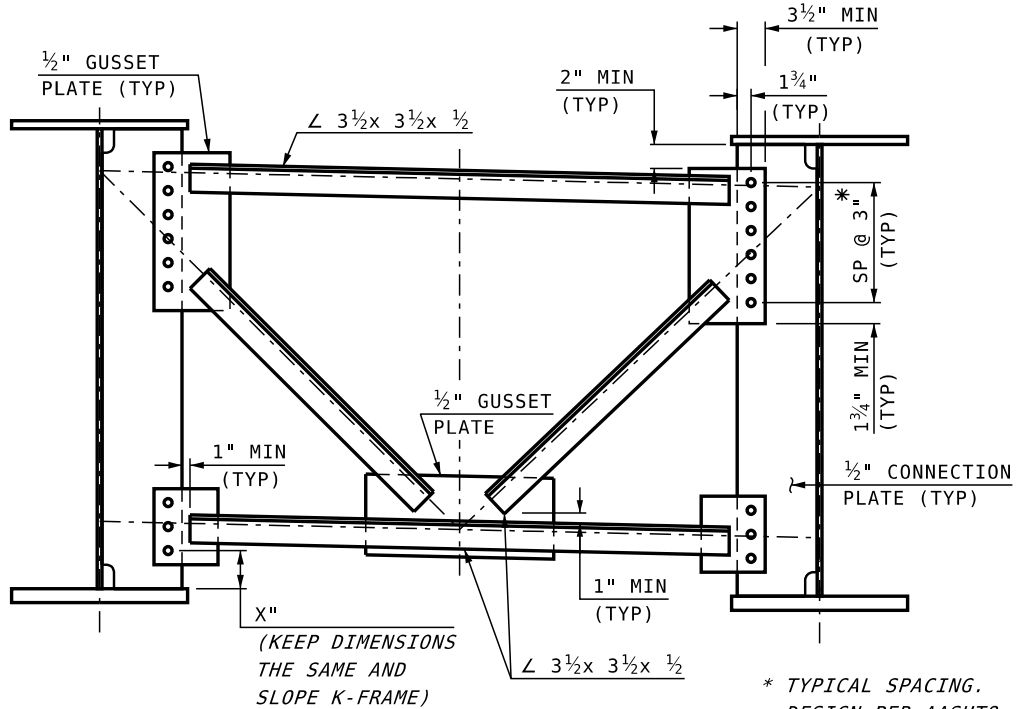


DESCRIPTION:

STEEL GIRDER DETAILS -
INTERMEDIATE K-FRAME

DATE REVISED:

10/13/23



INTERMEDIATE K-FRAME

MODIFY TO
FIT PROJECT

NEW HAMPSHIRE DEPARTMENT OF TRANSPORTATION



BUREAU OF BRIDGE DESIGN

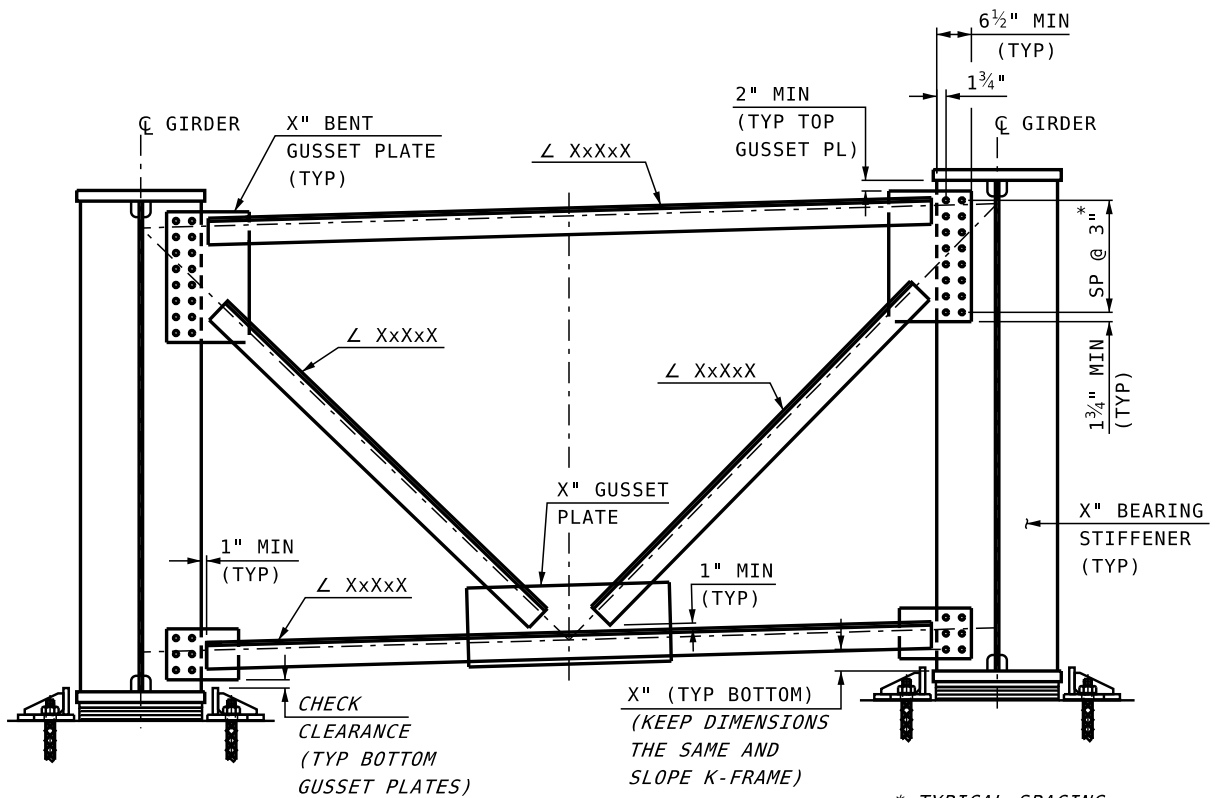


DESCRIPTION:

**STEEL GIRDER DETAILS -
K-FRAME SKEWED AT PIER**

DATE REVISED:

10/13/23



* TYPICAL SPACING.
DESIGN PER AASHTO
LRFD 6.13.2.6

K-FRAME **(SKEWED AT PIER)**

MODIFY TO
FIT PROJECT

NEW HAMPSHIRE DEPARTMENT OF TRANSPORTATION

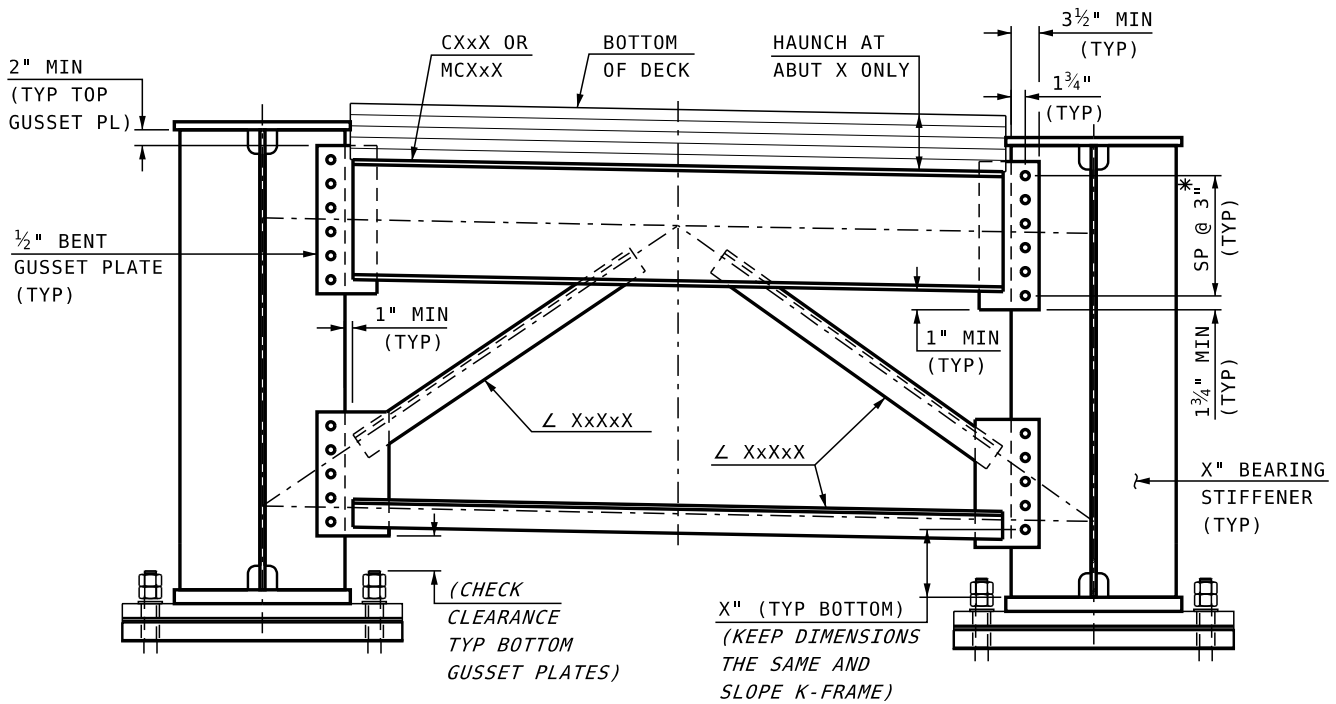


BUREAU OF BRIDGE DESIGN



DESCRIPTION: **STEEL GIRDER DETAILS -
END K-FRAME SKEWED AT ABUTMENTS**

DATE REVISED:
10/13/23



* TYPICAL SPACING.
DESIGN PER AASHTO
LRFD 6.13.2.6

END K-FRAME SKEWED AT ABUTMENTS

(FOR USE AT ABUTMENTS WITH EXPANSION
JOINT IN FRONT OF BACKWALL)

MODIFY TO
FIT PROJECT

NEW HAMPSHIRE DEPARTMENT OF TRANSPORTATION

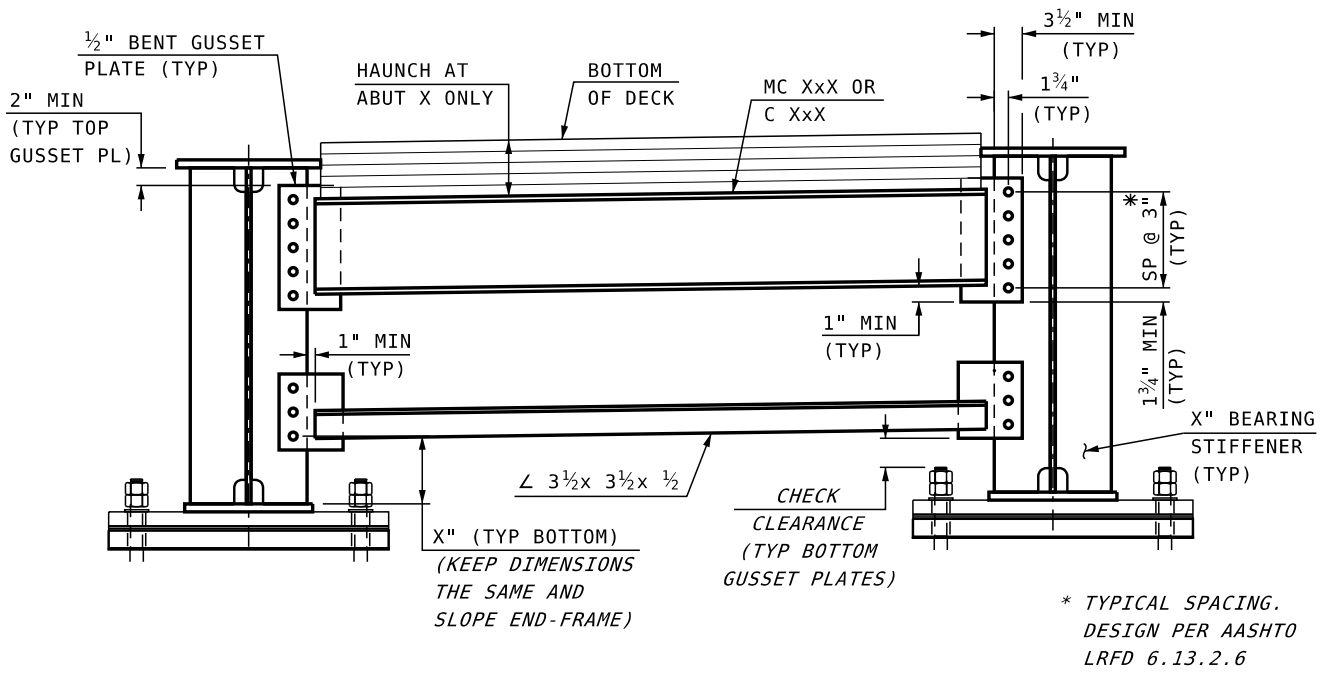


BUREAU OF BRIDGE DESIGN



DESCRIPTION: **STEEL GIRDER DETAILS -
END DIAPHRAGM SKEWED AT ABUTMENTS**

DATE REVISED:
10/13/2023



END DIAPHRAGM SKEWED AT ABUTMENTS

(FOR USE AT ABUTMENTS WITH EXPANSION
JOINT IN FRONT OF BACKWALL)

**MODIFY TO
FIT PROJECT**

NEW HAMPSHIRE DEPARTMENT OF TRANSPORTATION

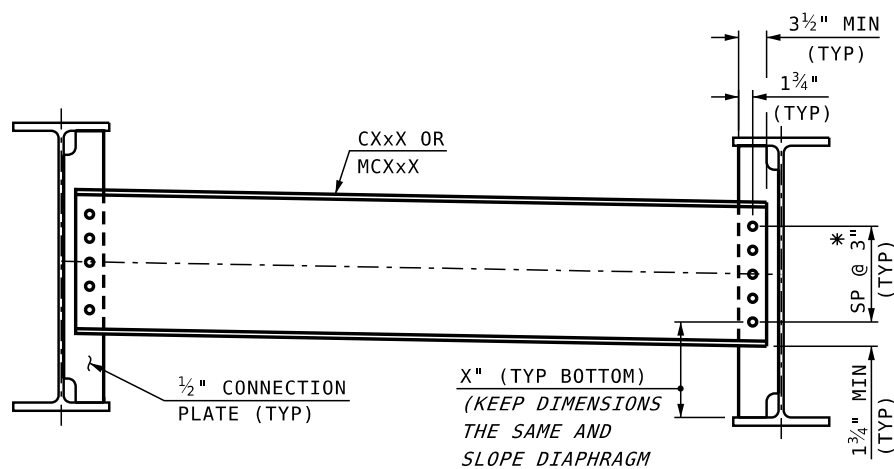


BUREAU OF BRIDGE DESIGN



DESCRIPTION: **STEEL GIRDER DETAILS -
INTERMEDIATE DIAPHRAGM WITH SHALLOW BEAMS**

DATE REVISED:
10/13/23



* TYPICAL SPACING.
DESIGN PER AASHTO
LRFD 6.13.2.6

INTERMEDIATE DIAPHRAGM WITH SHALLOW BEAMS

STRINGER SIZE	DIAPHRAGM SIZE	NO. OF BOLTS
28" TO 36"	MC18X42.7	5
25" TO 27"	C15X33.9	4
UP TO 24"	C12X25	3

MODIFY TO
FIT PROJECT

NEW HAMPSHIRE DEPARTMENT OF TRANSPORTATION



BUREAU OF BRIDGE DESIGN

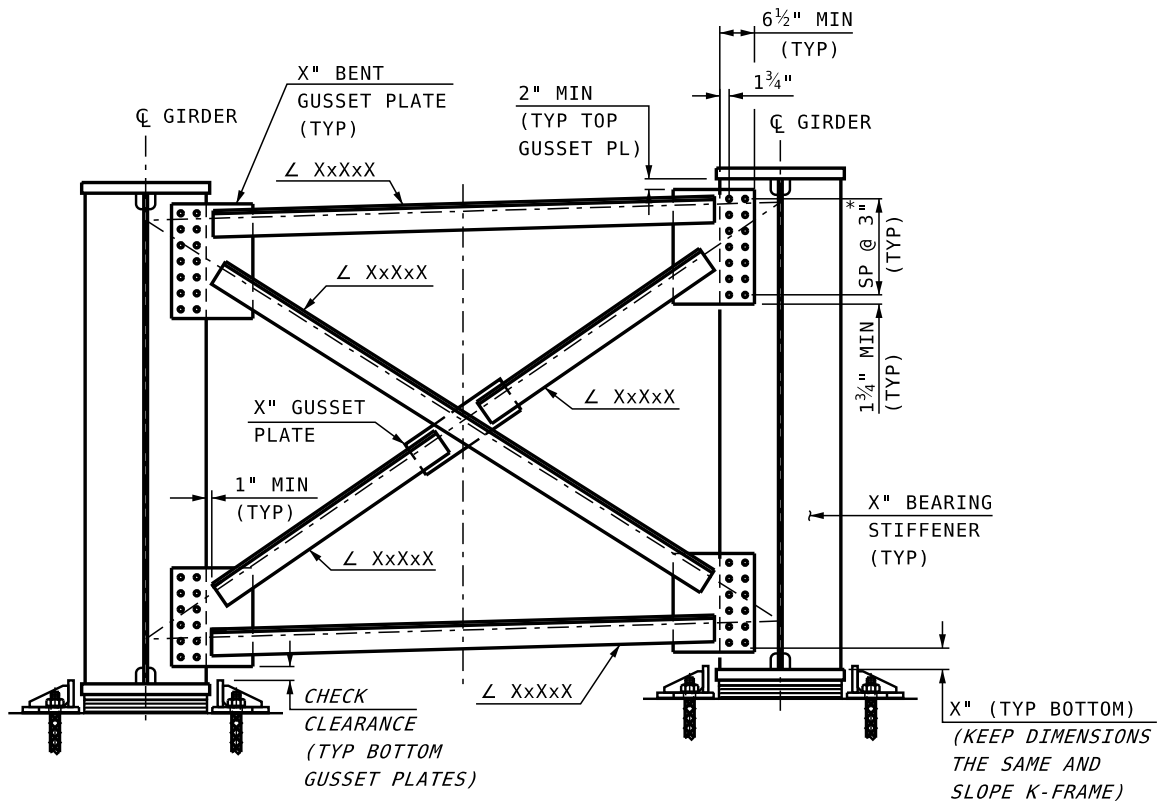


DESCRIPTION:

**STEEL GIRDER DETAILS -
X-FRAME SKEWED AT PIER**

DATE REVISED:

10/13/23



* TYPICAL SPACING.
DESIGN PER AASHTO
LRFD 6.13.2.6

X-FRAME (SKEWED AT PIER)

MODIFY TO
FIT PROJECT

NEW HAMPSHIRE DEPARTMENT OF TRANSPORTATION



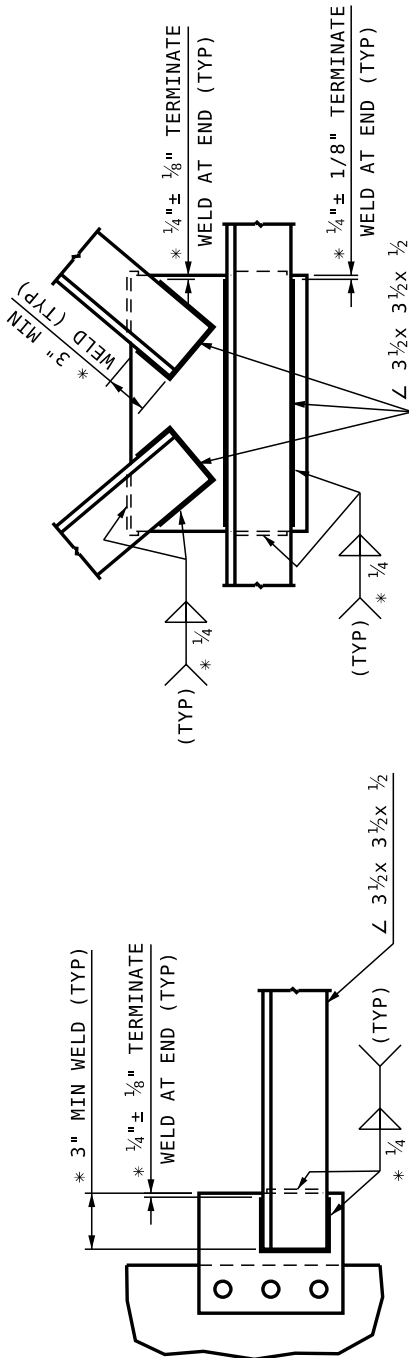
BUREAU OF BRIDGE DESIGN



DESCRIPTION: **STEEL GIRDER DETAILS -
WELD TERMINATION DETAILS**

DATE REVISED:
7/31/2023

**MODIFY TO
FIT PROJECT**



* WELD LENGTH AND SIZE SHALL BE
DESIGNED IF MEMBER SIZE CHANGES.

WELD TERMINATION DETAILS

NOTE TO DESIGNER:
SHOW WELD TERMINATION DETAILS
FOR EACH DIFFERENT MEMBER SIZE.