

NEW HAMPSHIRE DEPARTMENT OF TRANSPORTATION

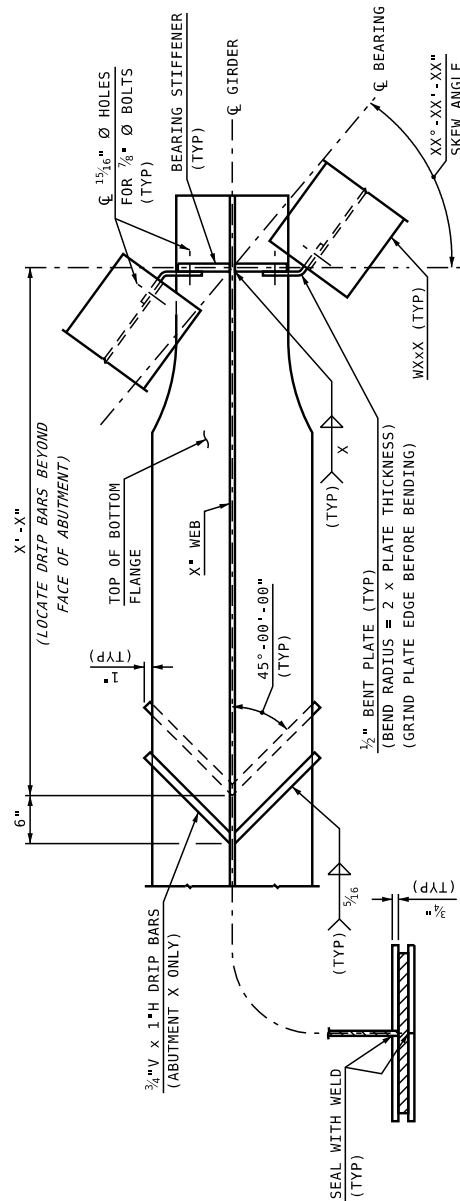


BUREAU OF BRIDGE DESIGN



DESCRIPTION: **STEEL GIRDER DETAILS -
ABUTMENT DIAPHRAGM AND DRIP BAR DETAIL**

DATE REVISED:
7/31/2023



TYPICAL ABUTMENT DIAPHRAGM & DRIP BAR DETAILS

(ABUTMENT X SHOWN, ABUTMENT X SIMILAR)

MODIFY TO
FIT PROJECT

NEW HAMPSHIRE DEPARTMENT OF TRANSPORTATION



BUREAU OF BRIDGE DESIGN

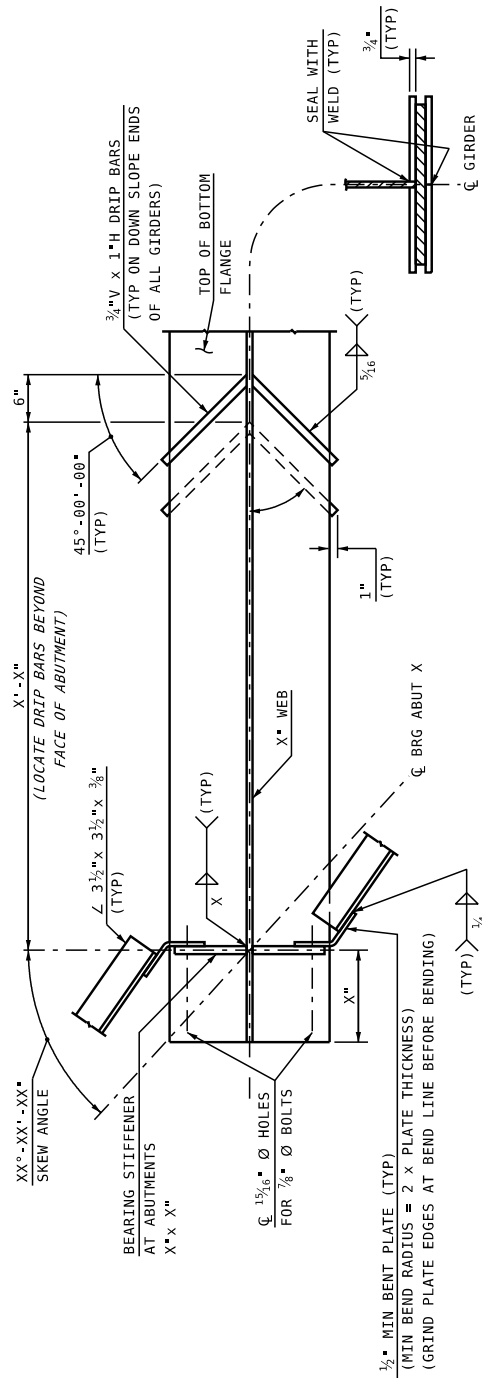


DESCRIPTION:

**STEEL GIRDER DETAILS -
ABUTMENT K-FRAME AND DRIP BAR DETAIL**

DATE REVISED:

7/31/2023



ABUTMENT K-FRAME & DRIP BAR DETAILS

MODIFY TO FIT PROJECT

NEW HAMPSHIRE DEPARTMENT OF TRANSPORTATION

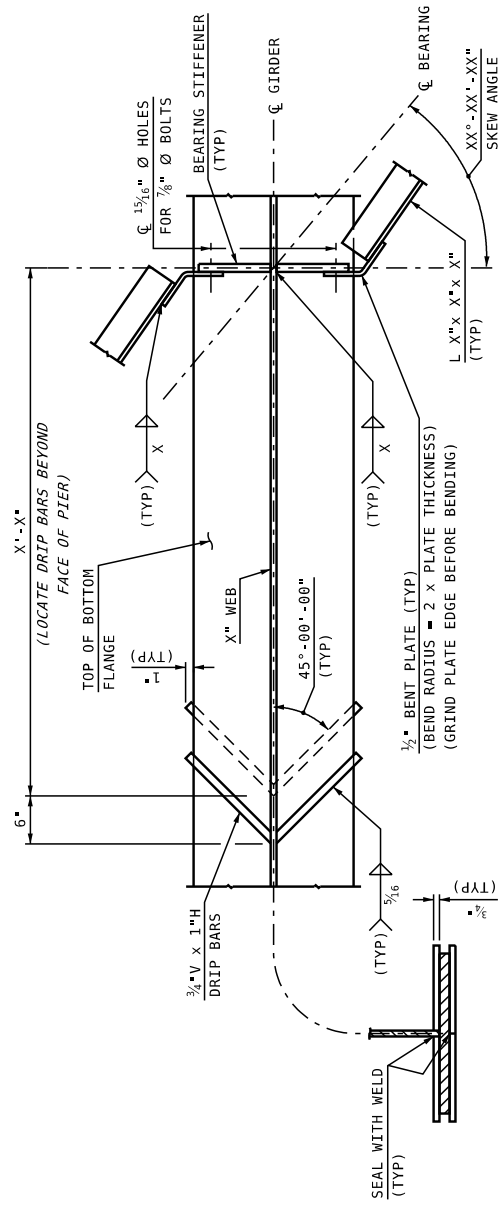


BUREAU OF BRIDGE DESIGN



DESCRIPTION: **STEEL GIRDER DETAILS -
PIER K-FRAME AND DRIP BAR DETAIL**

DATE REVISED:
7/31/2023



NOTE: DRIP BARS ARE SYMMETRICAL EACH SIDE OF PIERS ALONG \bar{C} OF GIRDER AS SHOWN

TYPICAL PIER K-FRAME & DRIP BAR DETAILS

MODIFY TO FIT PROJECT