

NEW HAMPSHIRE DEPARTMENT OF TRANSPORTATION

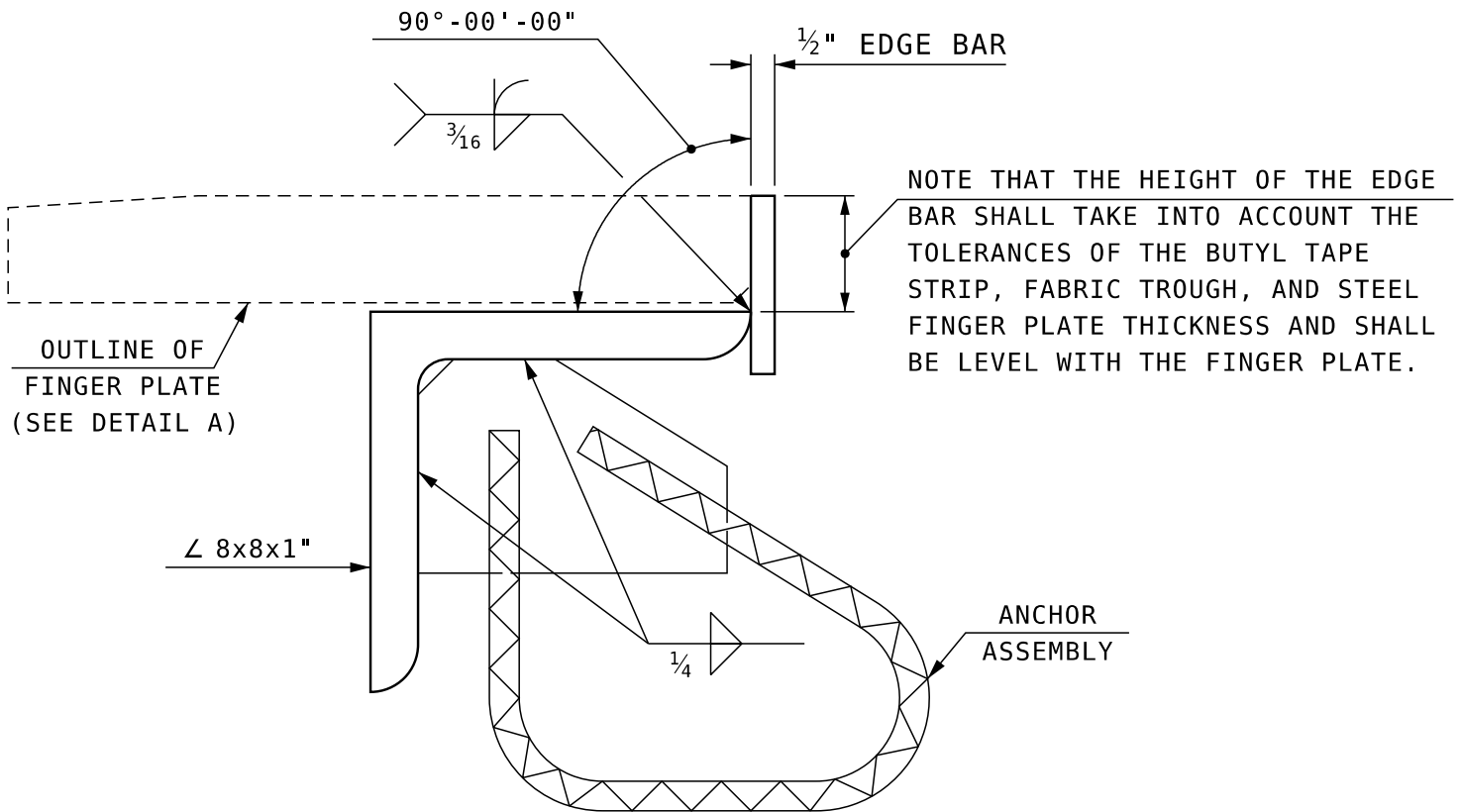


BUREAU OF BRIDGE DESIGN



DESCRIPTION: EXPANSION JOINTS -
EDGE BAR DETAIL FOR FINGER JOINT (ANGLE)

DATE REVISED:
7/31/2023



FINGER JOINT EDGE BAR DETAIL (ANGLE)

NEW HAMPSHIRE DEPARTMENT OF TRANSPORTATION



BUREAU OF BRIDGE DESIGN



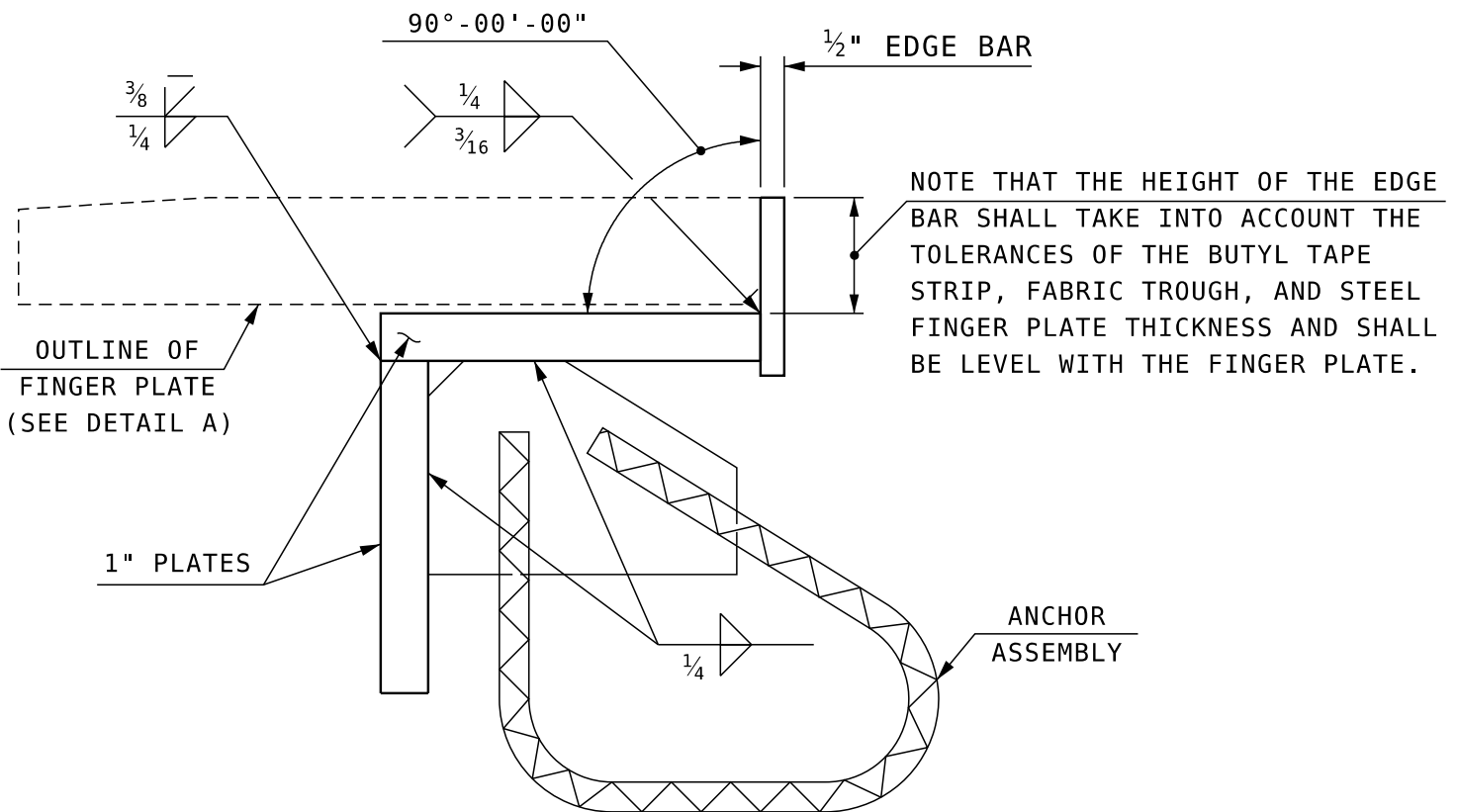
DESCRIPTION:

EXPANSION JOINTS -

EDGE BAR DETAIL FOR FINGER JOINT (1" PLATES)

DATE REVISED:

7/31/2023



FINGER JOINT EDGE BAR DETAIL (WELDED PLATES)

NEW HAMPSHIRE DEPARTMENT OF TRANSPORTATION

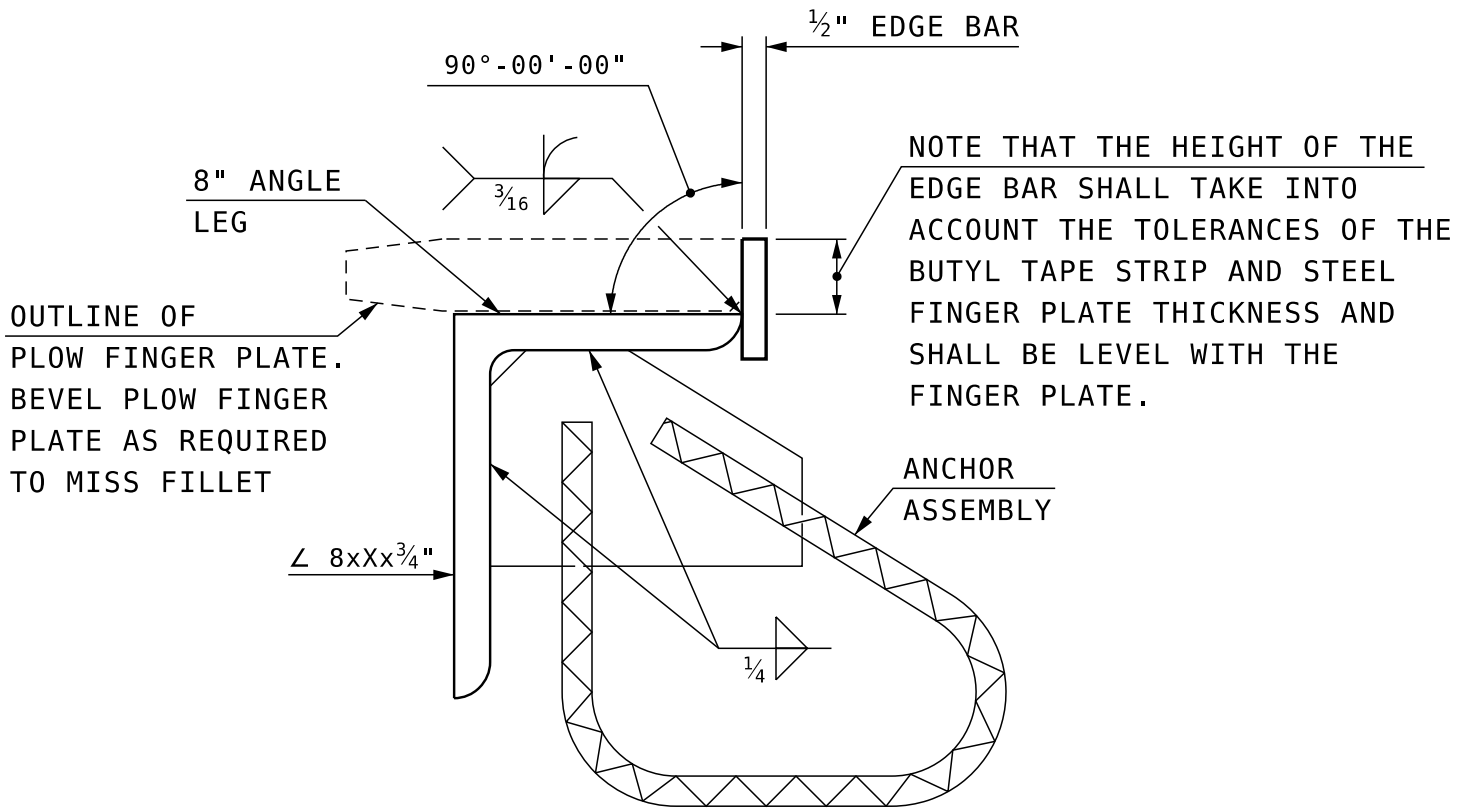


BUREAU OF BRIDGE DESIGN



DESCRIPTION: EXPANSION JOINTS -
EDGE BAR DETAIL FOR PLOW PROTECTION PLATE

DATE REVISED:
7/31/2023



PLOW PROTECTION PLATE
EDGE BAR DETAIL (ANGLE)

NEW HAMPSHIRE DEPARTMENT OF TRANSPORTATION

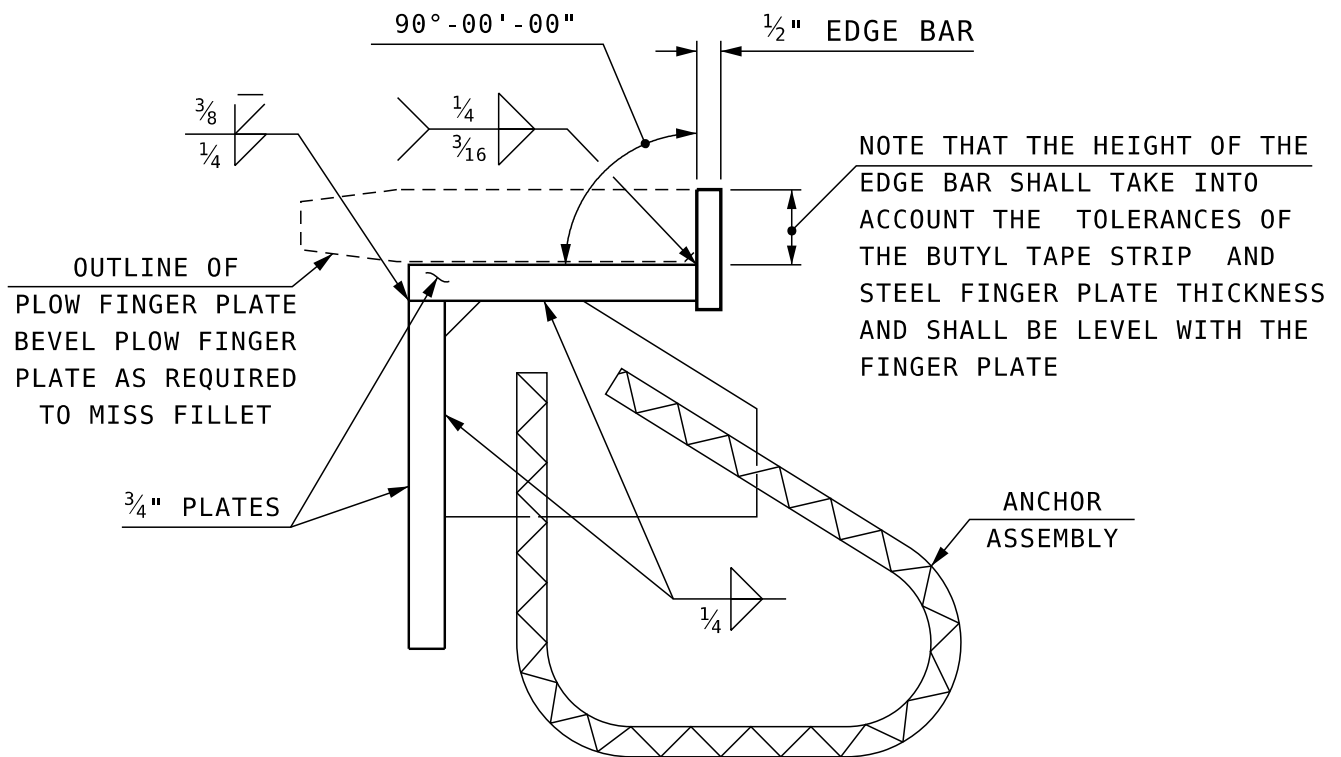


BUREAU OF BRIDGE DESIGN



DESCRIPTION: EXPANSION JOINTS -
EDGE BAR DETAIL FOR PLOW PROTECTION PL ($\frac{3}{4}$ " PL)

DATE REVISED:
7/31/2023



PLOW PROTECTION PLATE
EDGE BAR DETAIL (WELDED PLATES)