

NEW HAMPSHIRE DEPARTMENT OF TRANSPORTATION



BUREAU OF BRIDGE DESIGN

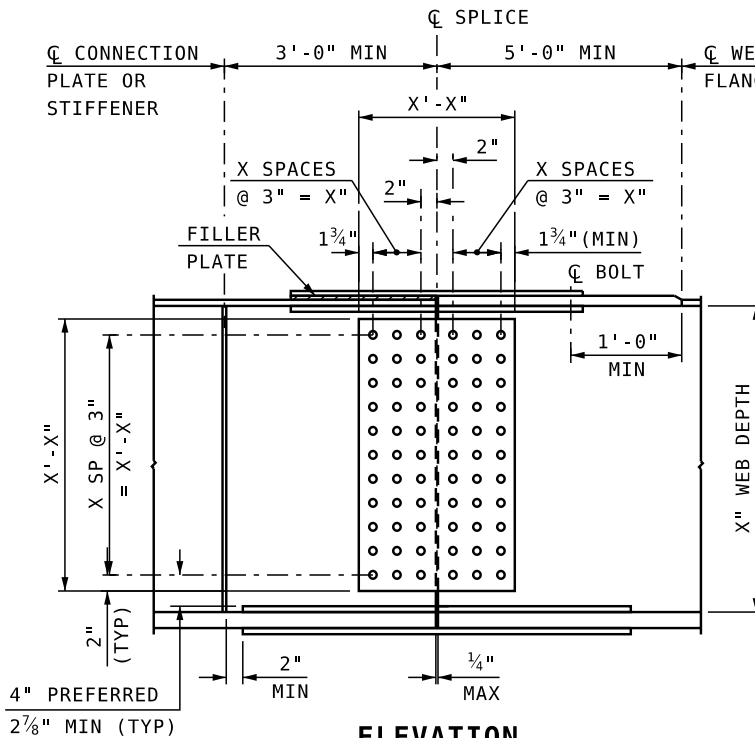


DESCRIPTION:

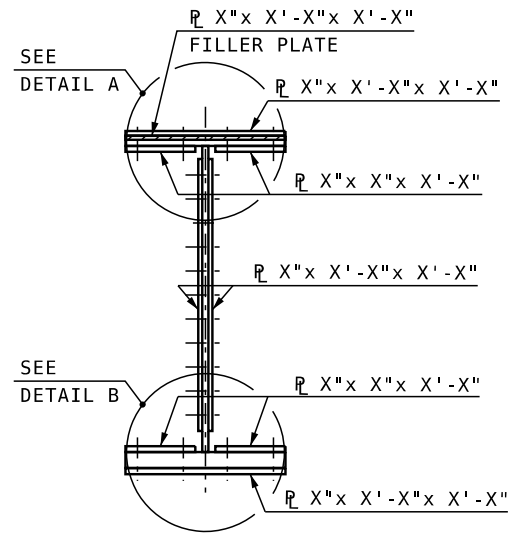
STEEL GIRDER DETAILS - BOLTED FIELD SPLICE DETAILS (1 OF 3)

DATE REVISED:

7/31/2023



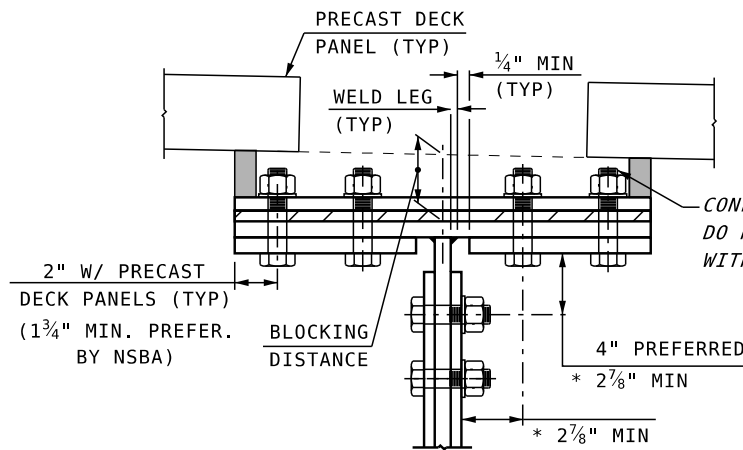
ELEVATION



SECTION

FIELD SPLICE DETAILS

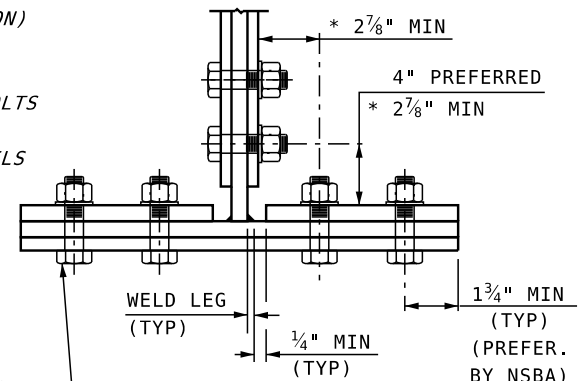
MODIFY TO FIT PROJECT



DETAIL A

* DIMENSIONS ARE MINIMUM FOR 7/8" DIAMETER BOLTS. (AISC MANUAL OF STEEL CONSTRUCTION)

CONFIRM TOP OF BOLTS DO NOT INTERFERE WITH PRECAST PANELS



DETAIL B

HEADS SHALL TO BE PLACED ON BOTTOM FACE OF ALL FLANGES (NH DOT STANDARD SPEC. 550.3.15.16.13). IF PRECAST PANEL INTERFERES WITH BOLTS, THE HEADS CAN BE PLACED ON TOP OF TOP FLANGE.

NEW HAMPSHIRE DEPARTMENT OF TRANSPORTATION

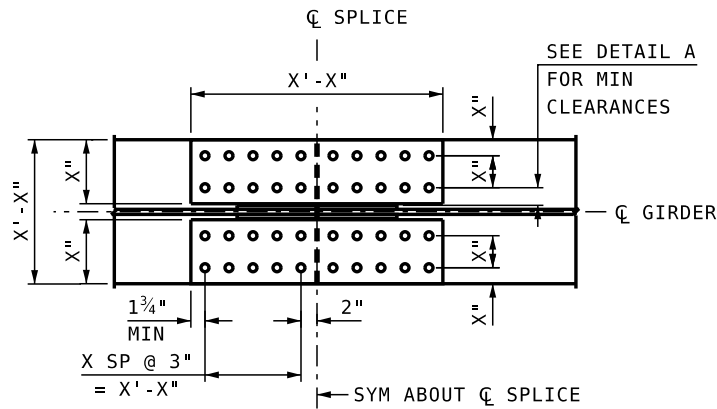


BUREAU OF BRIDGE DESIGN

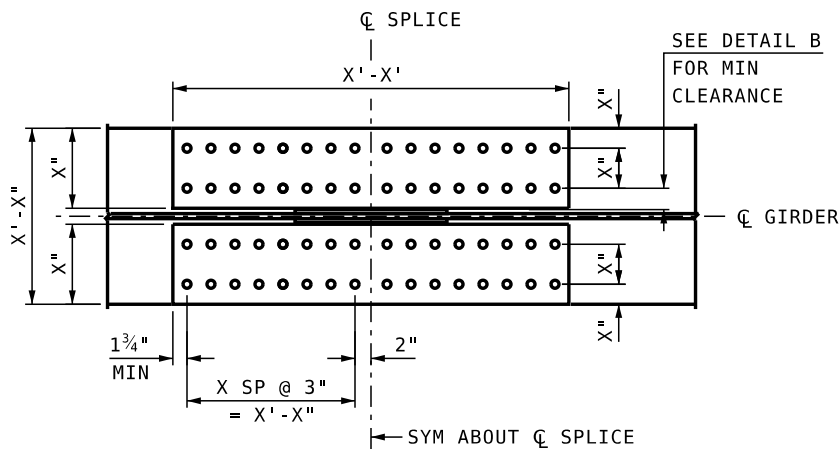


DESCRIPTION: **STEEL GIRDER DETAILS -
BOLTED FIELD SPLICE DETAILS (2 OF 3)**

DATE REVISED:
7/31/2023



PLAN TOP FLANGE WEB SIDE



PLAN BOTTOM FLANGE WEB SIDE

NOTE TO DESIGNER:
SPACE FLANGE BOLTS
PER AASHTO 6.13.2.6.

FIELD SPLICE DETAILS

**MODIFY TO
FIT PROJECT**

NEW HAMPSHIRE DEPARTMENT OF TRANSPORTATION



BUREAU OF BRIDGE DESIGN

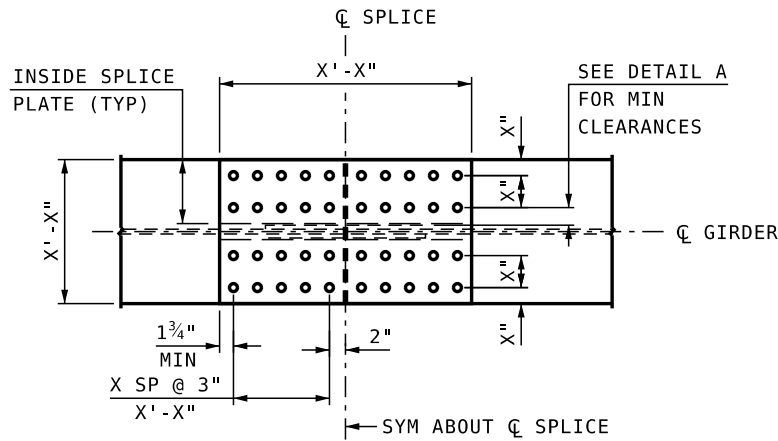


DESCRIPTION:

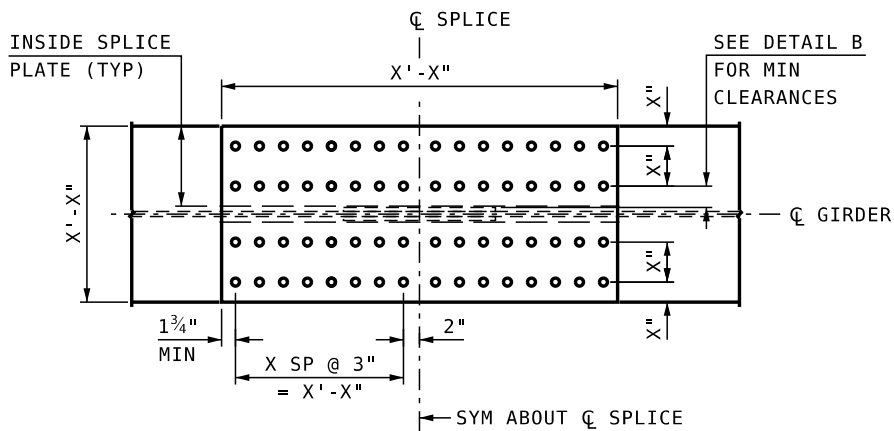
**STEEL GIRDER DETAILS -
BOLTED FIELD SPLICE DETAILS (3 OF 3)**

DATE REVISED:

7/31/2023



PLAN TOP FLANGE TOP SIDE



PLAN BOTTOM FLANGE BOTTOM SIDE

NOTE:
HOLES FOR FIELD SPLICES SHALL BE DRILLED
 $1\frac{5}{16}'' \text{ } \varnothing$ IN THE SHOP WHILE GIRDERS ARE
ASSEMBLED TO FIT BEARING ELEVATIONS.

FIELD SPLICE DETAILS

**MODIFY TO
FIT PROJECT**