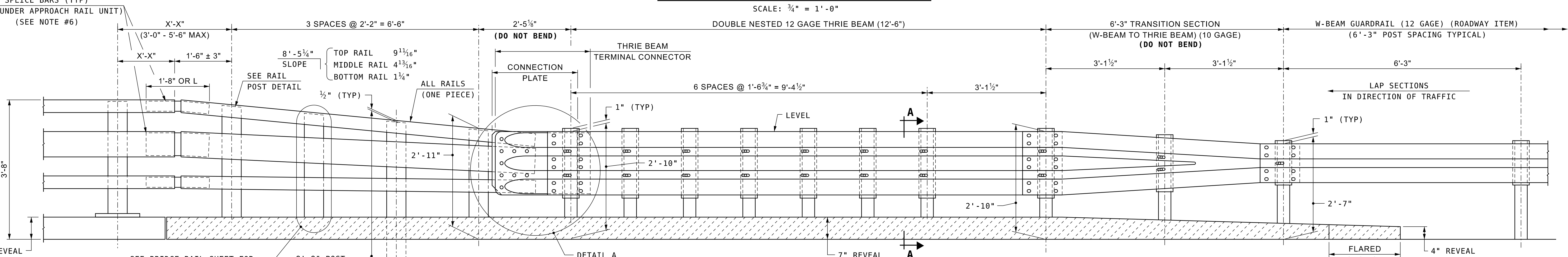
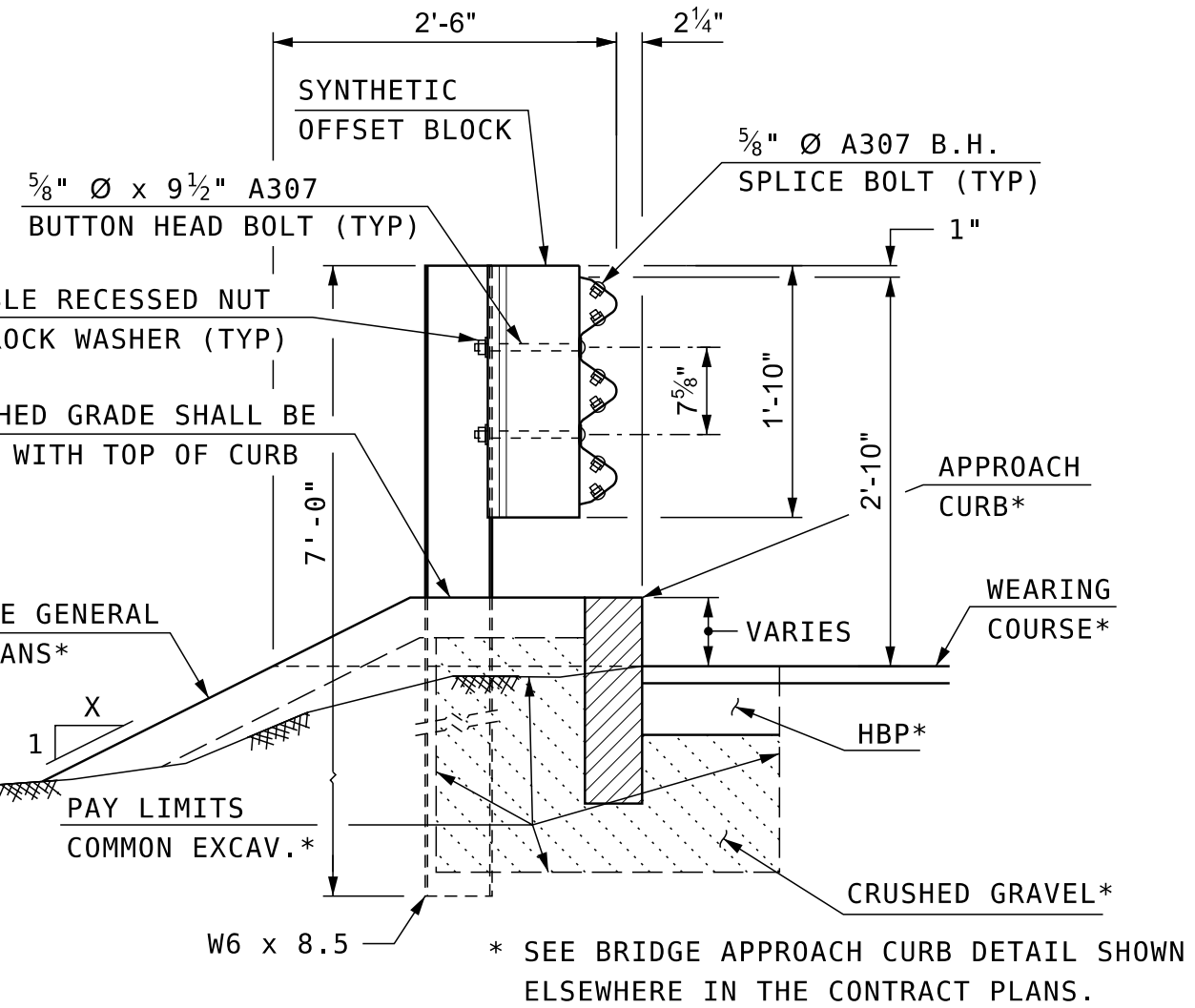


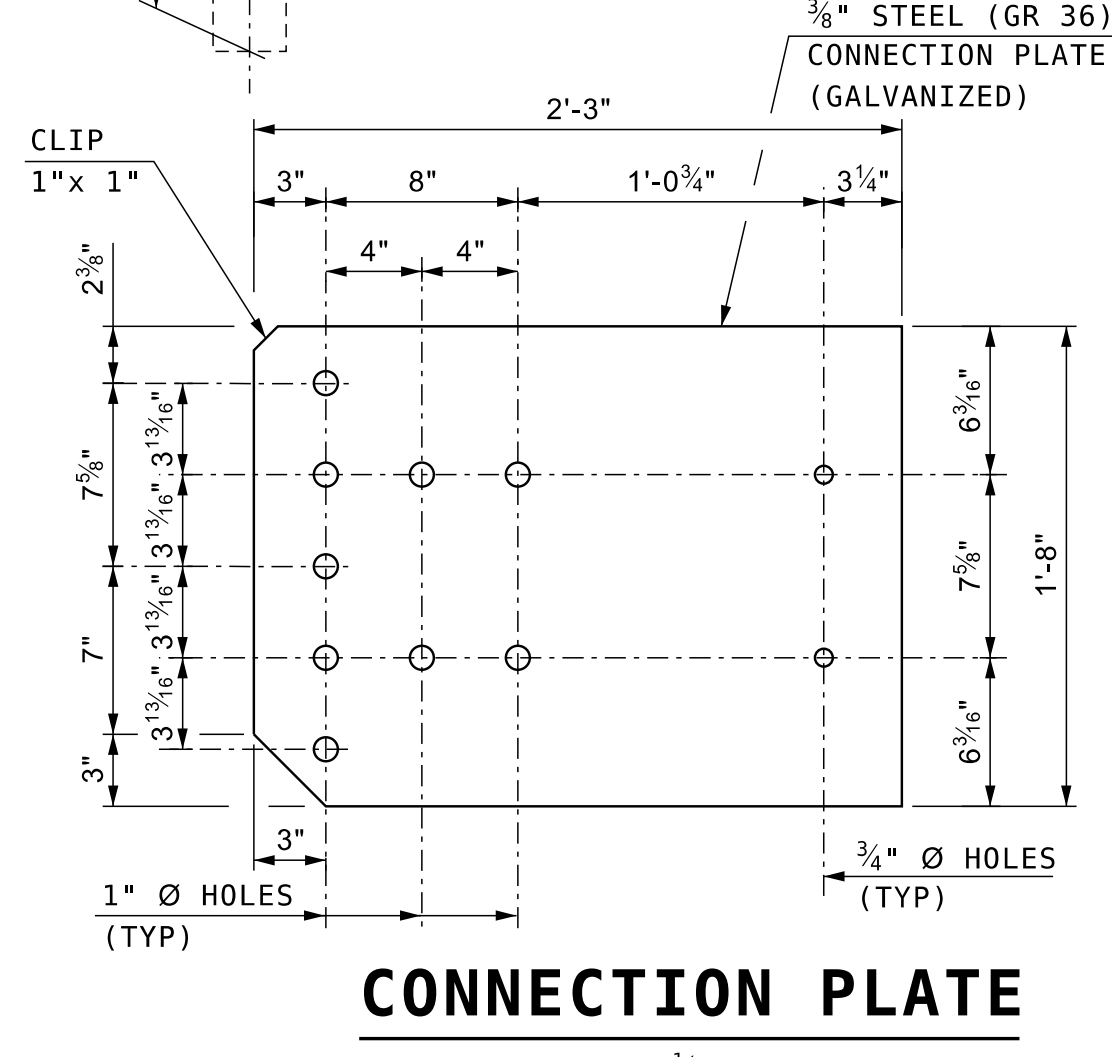
PLAN VIEW - APPROACH RAIL



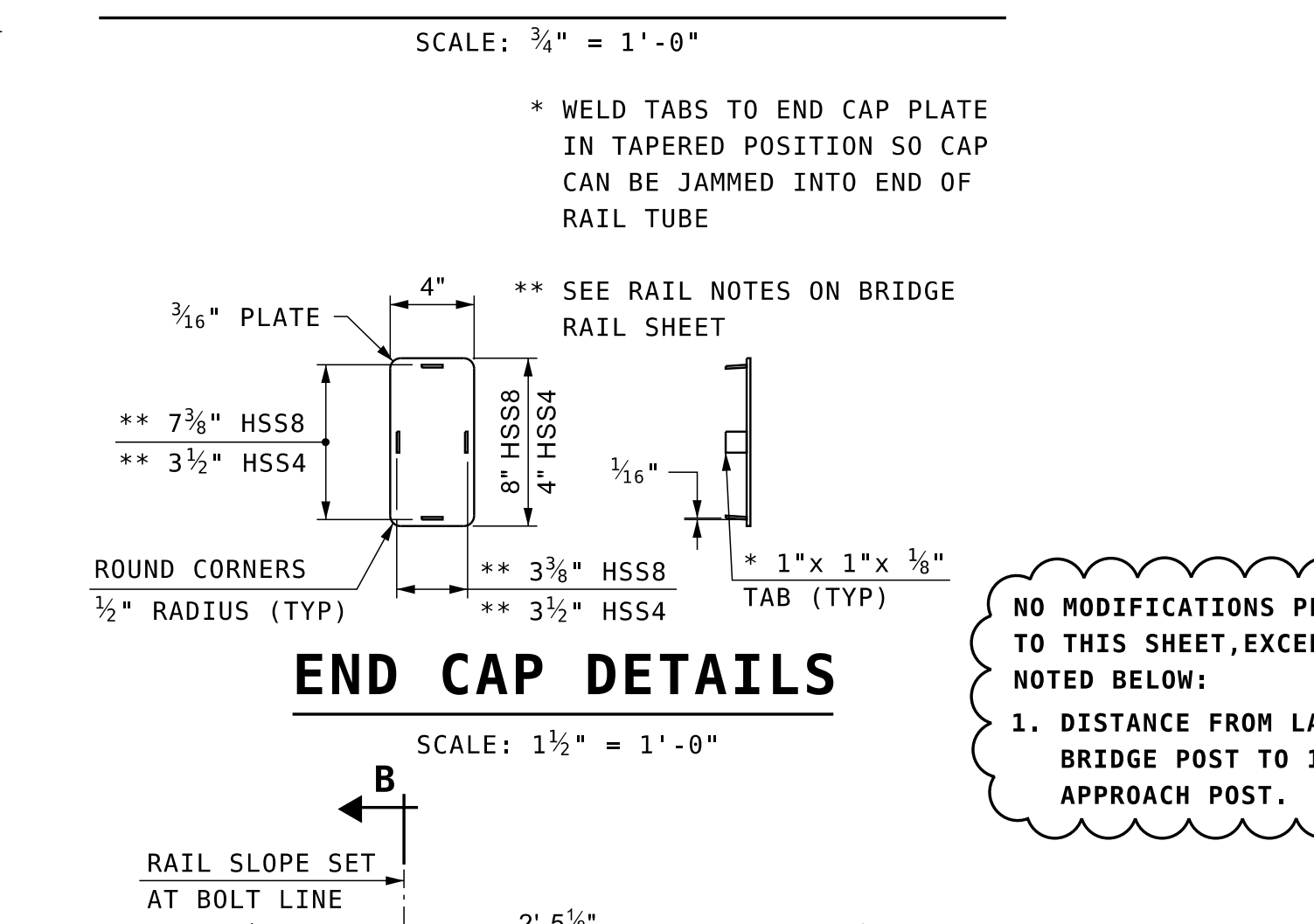
ELEVATION - APPROACH RAIL



SECTION A-A (POST RAIL ASSEMBLY)

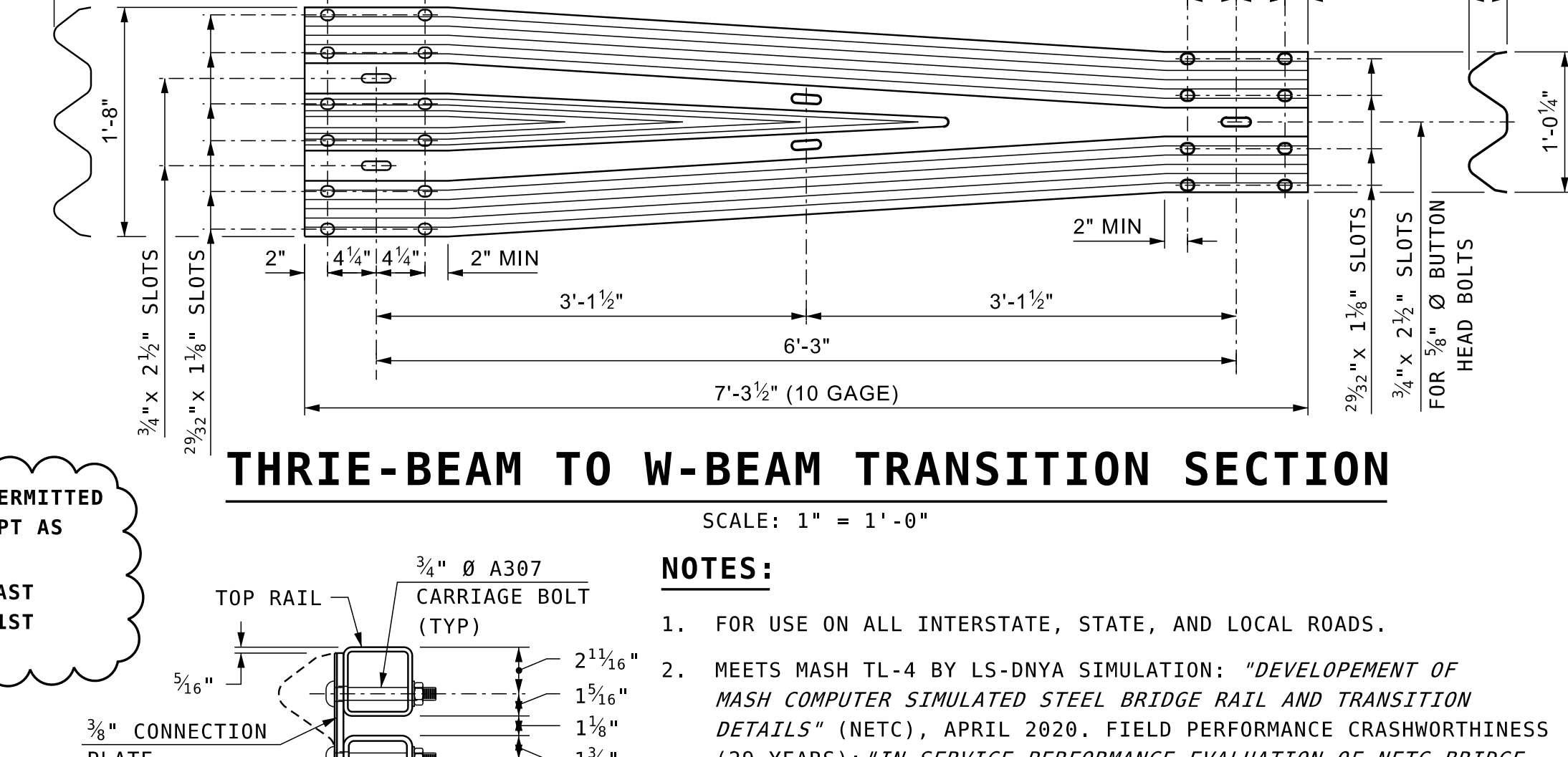


CONNECTION PLATE



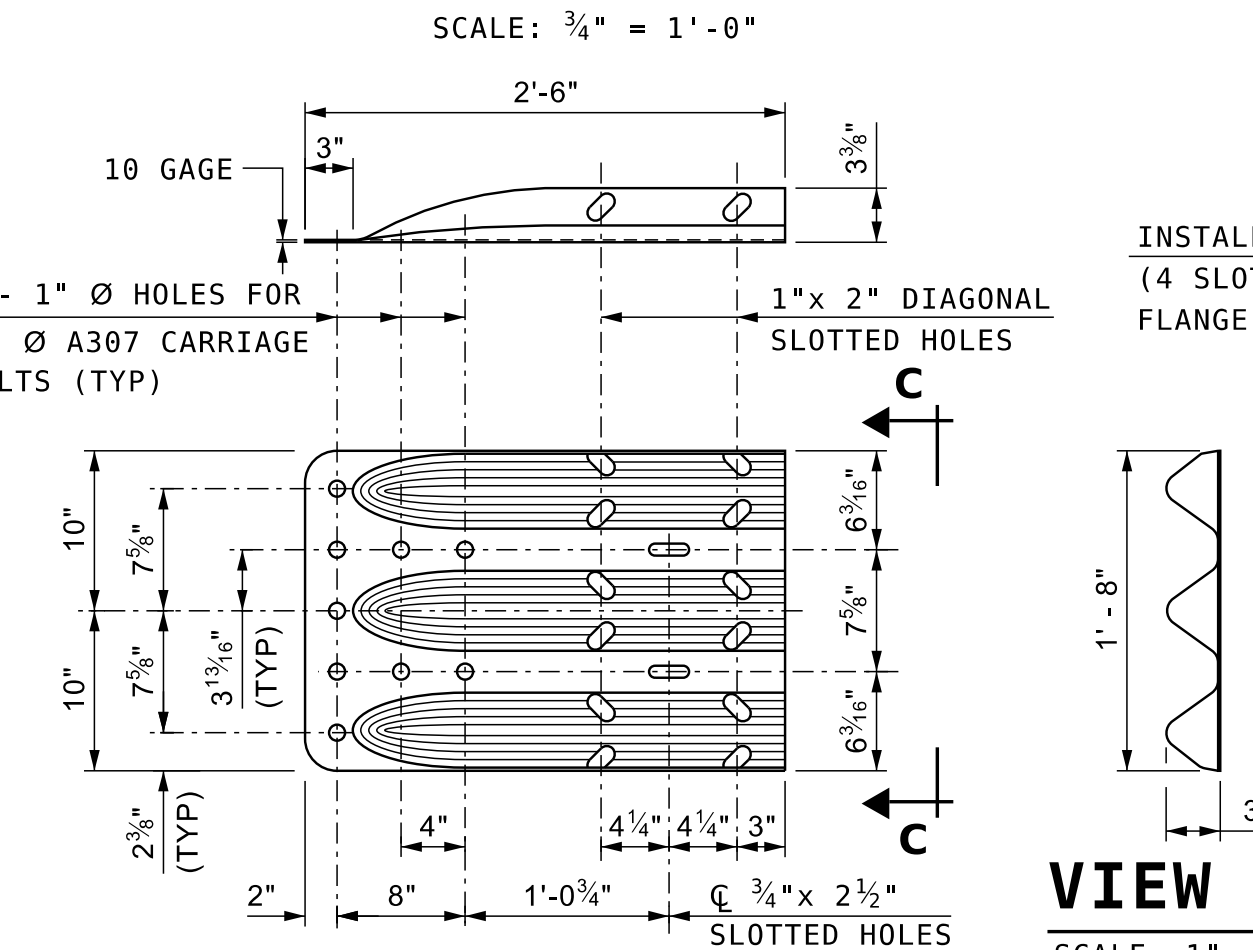
END CAP DETAILS

NO MODIFICATIONS PERMITTED TO THIS SHEET, EXCEPT AS NOTED BELOW:
1. DISTANCE FROM LAST BRIDGE POST TO 1ST APPROACH POST.

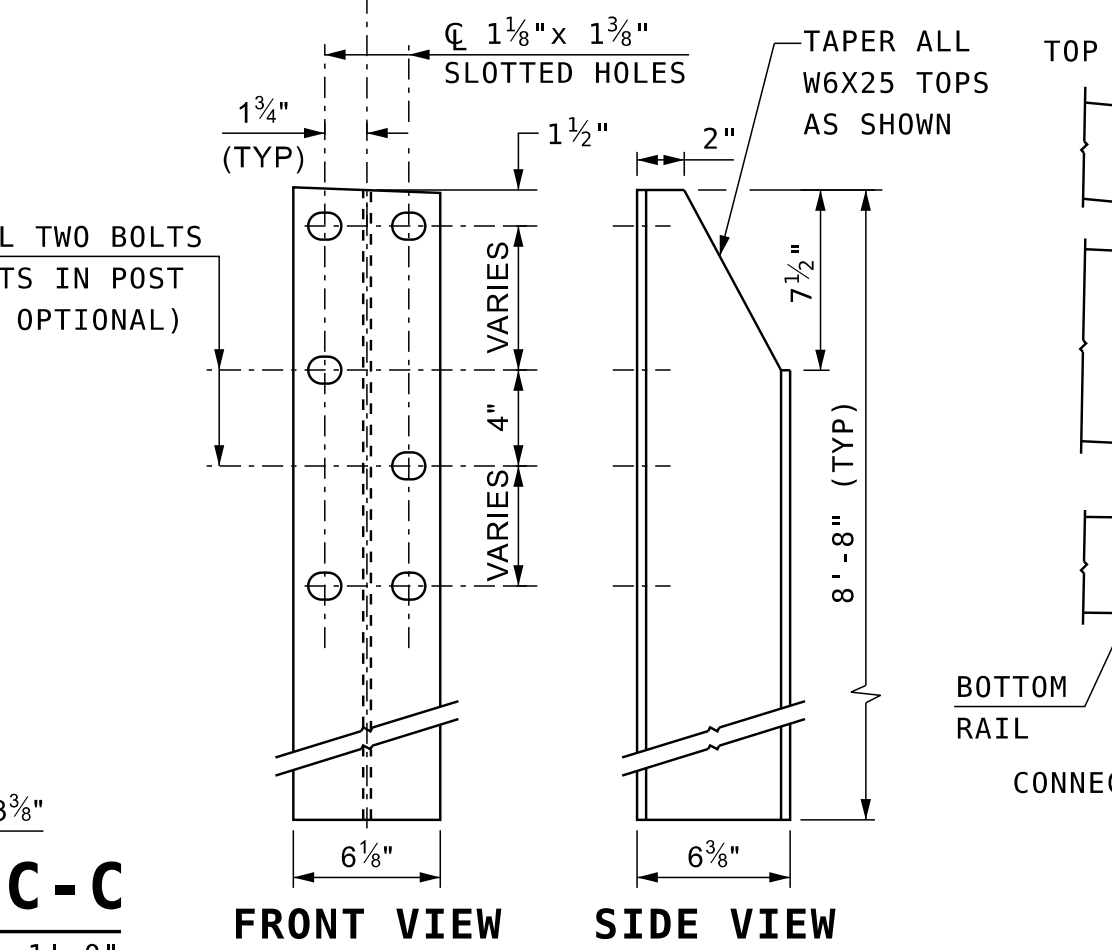


THRIE-BEAM TO W-BEAM TRANSITION SECTION

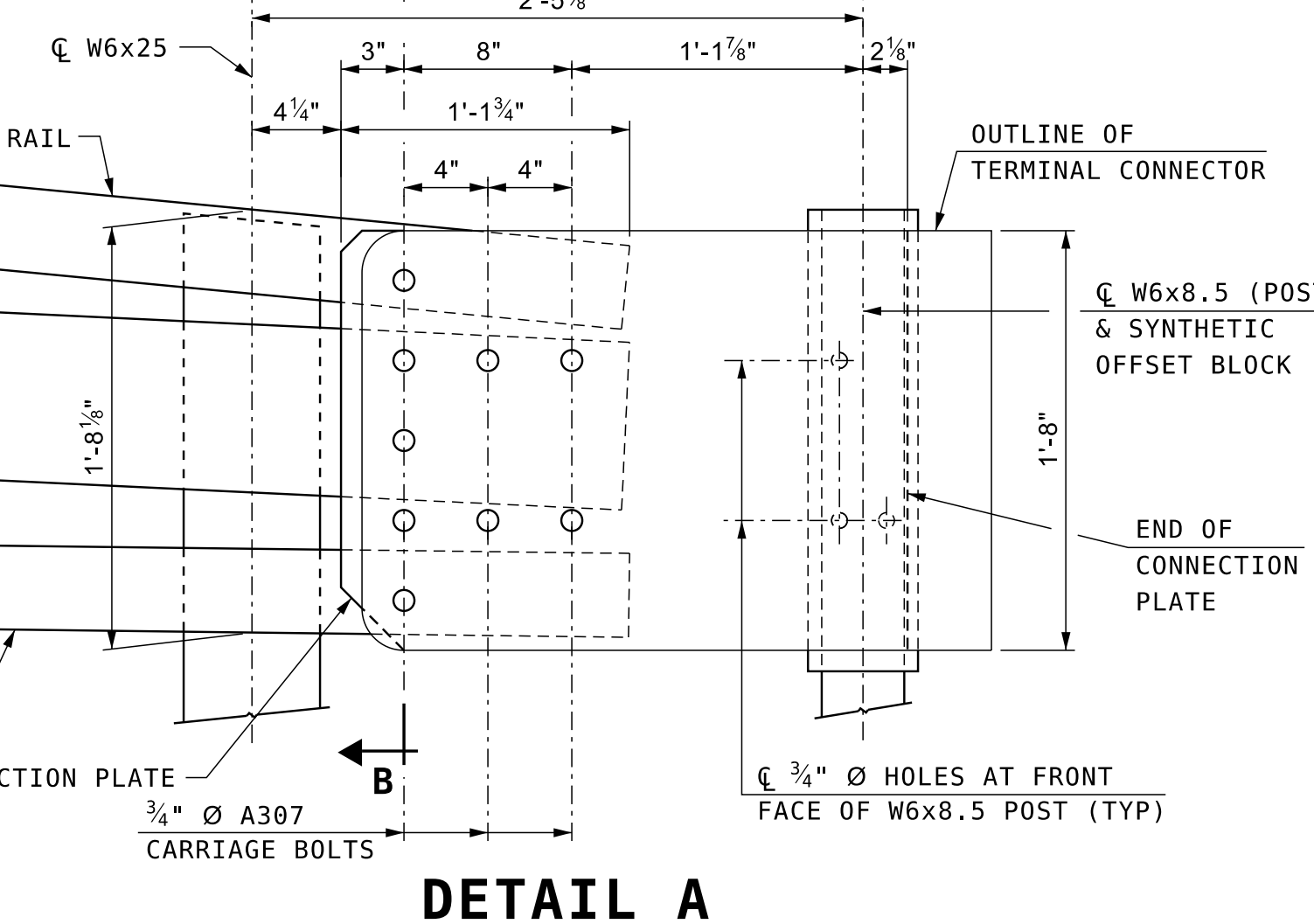
- NOTES:**
- FOR USE ON ALL INTERSTATE, STATE, AND LOCAL ROADS.
 - MEETS MASH TL-4 BY LS-DNYA SIMULATION: "DEVELOPEMENT OF MASH COMPUTER SIMULATED STEEL BRIDGE RAIL AND TRANSITION DETAILS" (NETC), APRIL 2020. FIELD PERFORMANCE CRASHWORTHINESS (29 YEARS): "IN-SERVICE PERFORMANCE EVALUATION OF NETC BRIDGE RAILING", JUNE 2022. CRASH TESTED (NETC 2005) AND ACCEPTED AS NCHRP 350 TL-4 (FHWA LETTER: HSSD/B-146, JULY 2008).
 - ALL BRIDGE APPROACH RAIL MATERIALS, DIMENSIONS, SIZES, AND NOTES SHALL BE THE SAME AS THOSE OF THE BRIDGE RAIL, UNLESS OTHERWISE NOTED. SEE BRIDGE RAIL SHEET FOR NOTES AND ADDITIONAL INFORMATION.
 - W6 x 25 POSTS SHALL BE THE SAME MATERIAL AS THE BRIDGE RAIL POSTS. W6 x 8.5 POSTS SHALL BE THE SAME AS W-BEAM GUARDRAIL POSTS.
 - CARRIAGE BOLTS SHALL BE ASTM A307, AND NUTS SHALL BE ASTM A563 GRADE A OR BETTER (GALVANIZED).
 - WELD BARS ADJUSTED FOR SLOPE & BEND. USE COMPLETE JOINT PENETRATION BUTT WELD (B-U2).
 - ALL COMPONENTS, EXCEPT TUBULAR RAIL, SHALL CONFORM TO SECTION 606 OF NHDOT SPECIFICATIONS.



THRIE-BEAM TERMINAL CONNECTOR



RAIL POST (W6x25)



DETAIL A

STATE OF NEW HAMPSHIRE									
DEPARTMENT OF TRANSPORTATION * BUREAU OF BRIDGE DESIGN									
TOWN	BRIDGE NO.			STATE PROJECT					
LOCATION	T3 STEEL BR APP RAIL (STEEL POSTS)								
REVISIONS AFTER PROPOSAL	BY	DATE	CHECKED	BY	DATE	BRIDGE SHEET	XX OF		
DESIGNED	NETC/JSZ	3/02	CHECKED	NHDOT		FILE NUMBER			
DRAWN	PJP	10/05	CHECKED	JSZ	10/05				
QUANTITIES	XXX	XX/XX	CHECKED	XXX	XX/XX				
ISSUE DATE	11/15/05	FEDERAL PROJECT NO.		SHEET NO.		TOTAL SHEETS			
REV. DATE	9/27/23								

SUBDIRECTORY	.DGN LOCATOR	SHEET SCALE
BR-RAIL-ST	T3 BR-APP-RAIL	AS NOTED