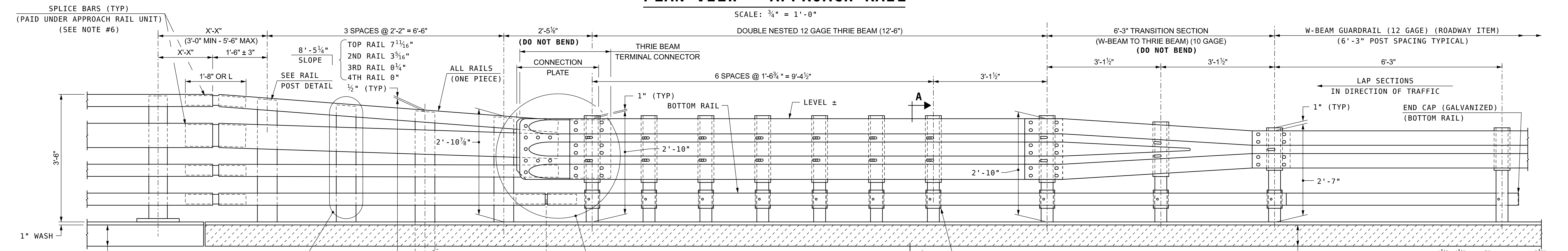


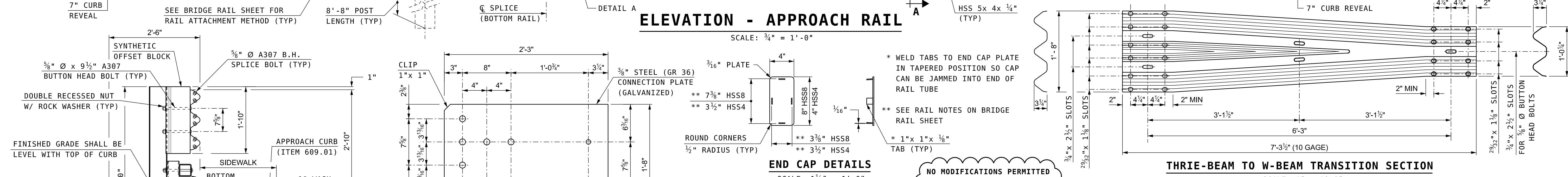
PLAN VIEW - APPROACH RAIL

SCALE: 3/4" = 1'-0"



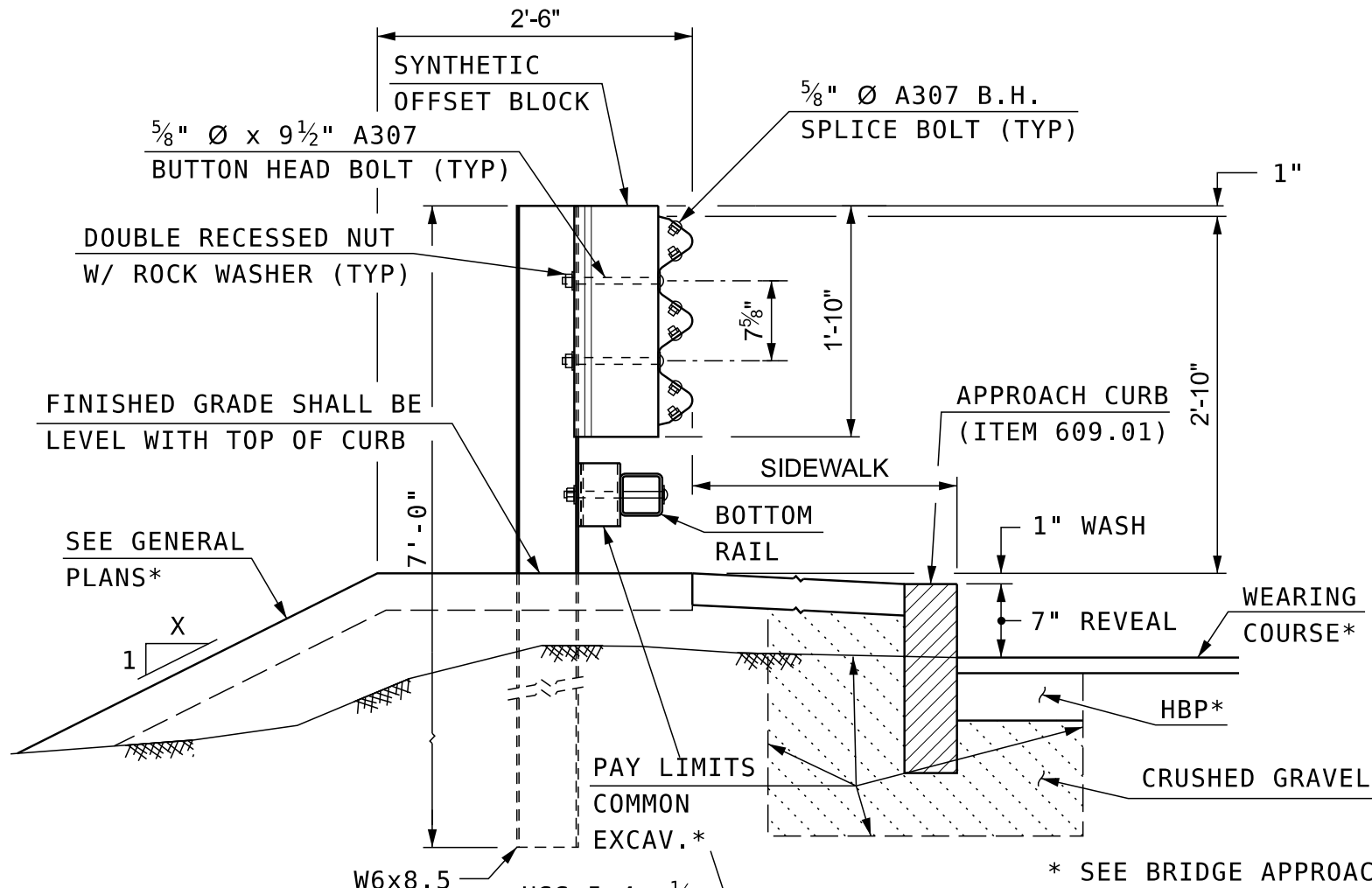
ELEVATION - APPROACH RAIL

SCALE: 3/4" = 1'-0"



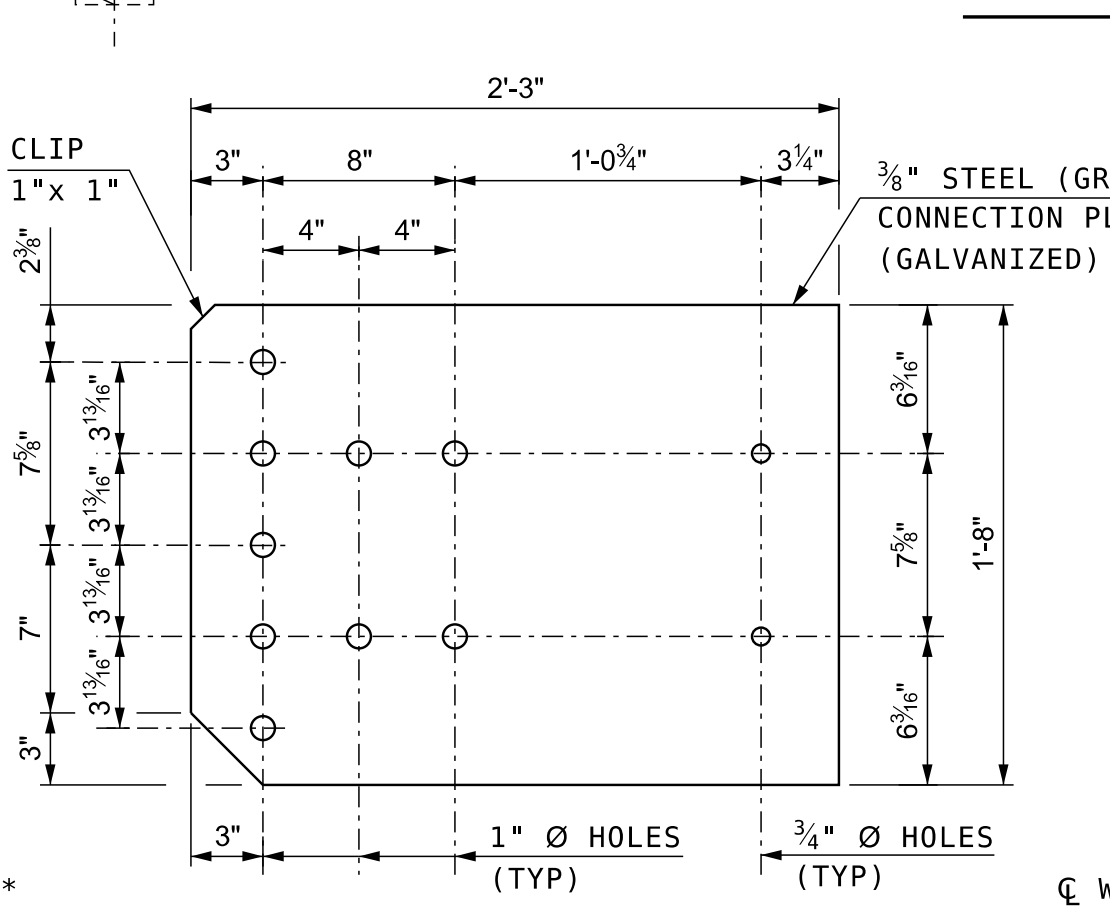
THRIE-BEAM TO W-BEAM TRANSITION SECTION

SCALE: 1" = 1'-0"



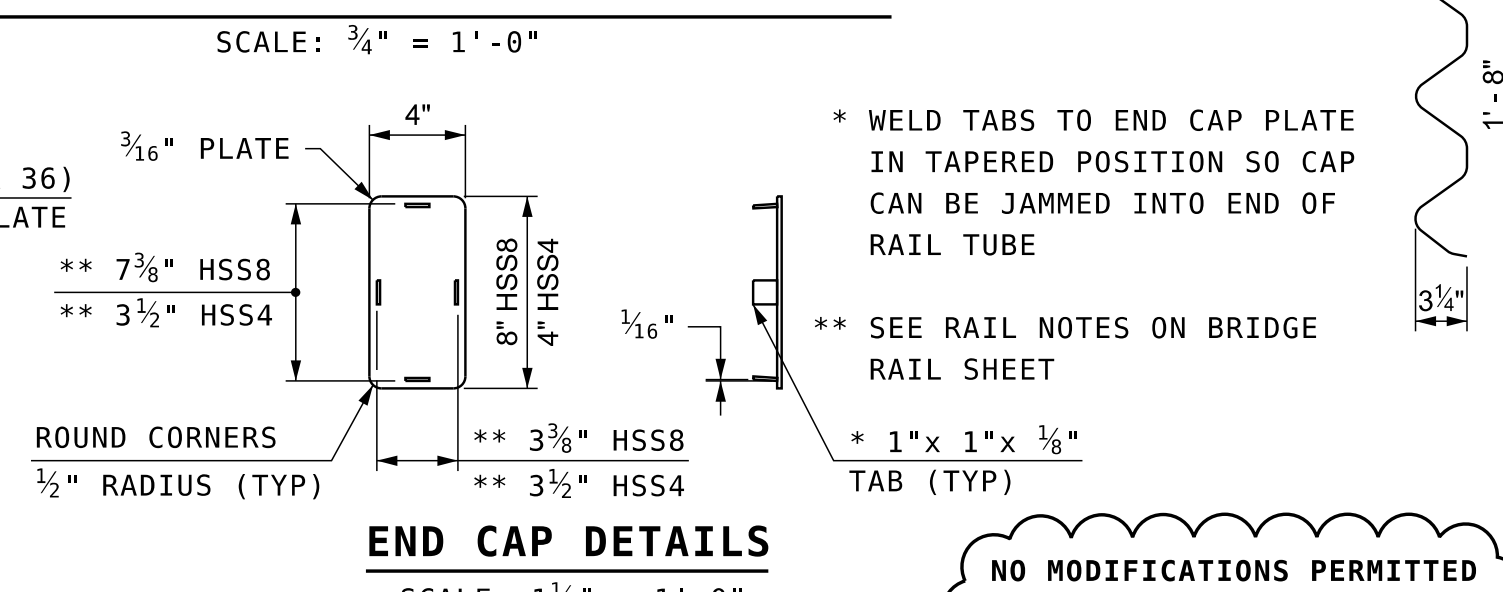
SECTION A-A (POST RAIL ASSEMBLY)

SCALE: 3/4" = 1'-0"



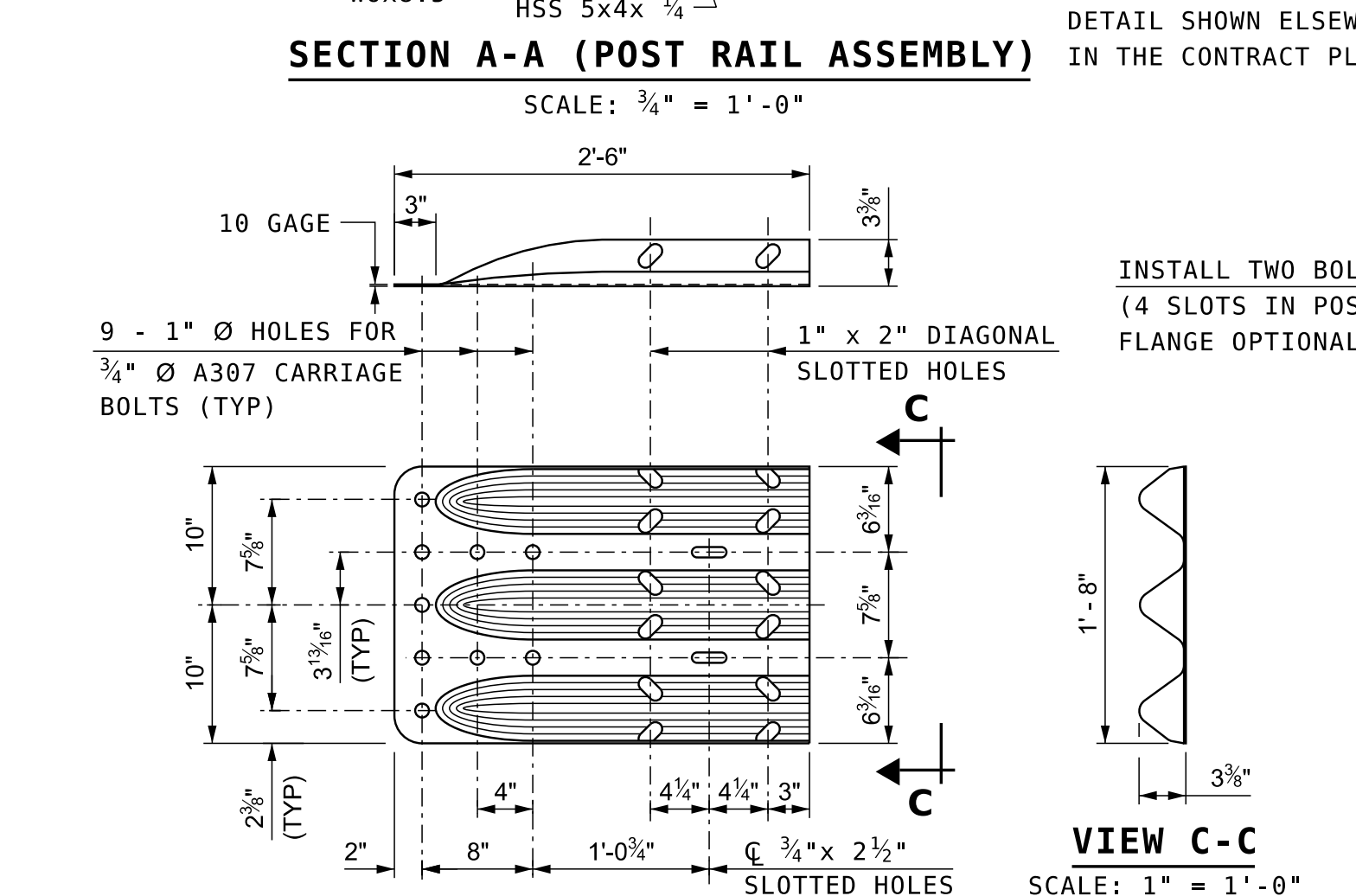
CONNECTION PLATE

SCALE: 1 1/2" = 1'-0"



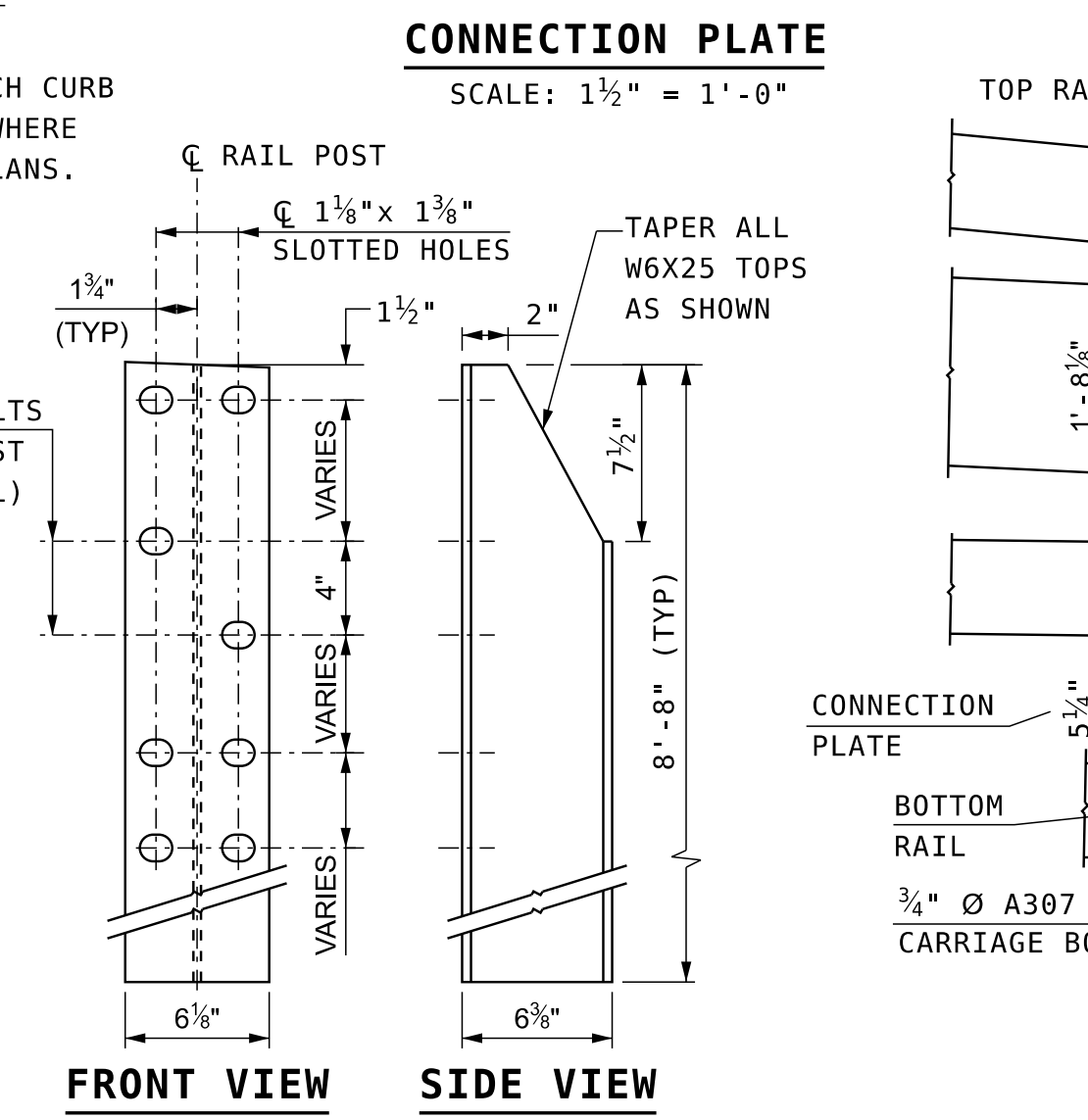
END CAP DETAILS

SCALE: 1 1/2" = 1'-0"



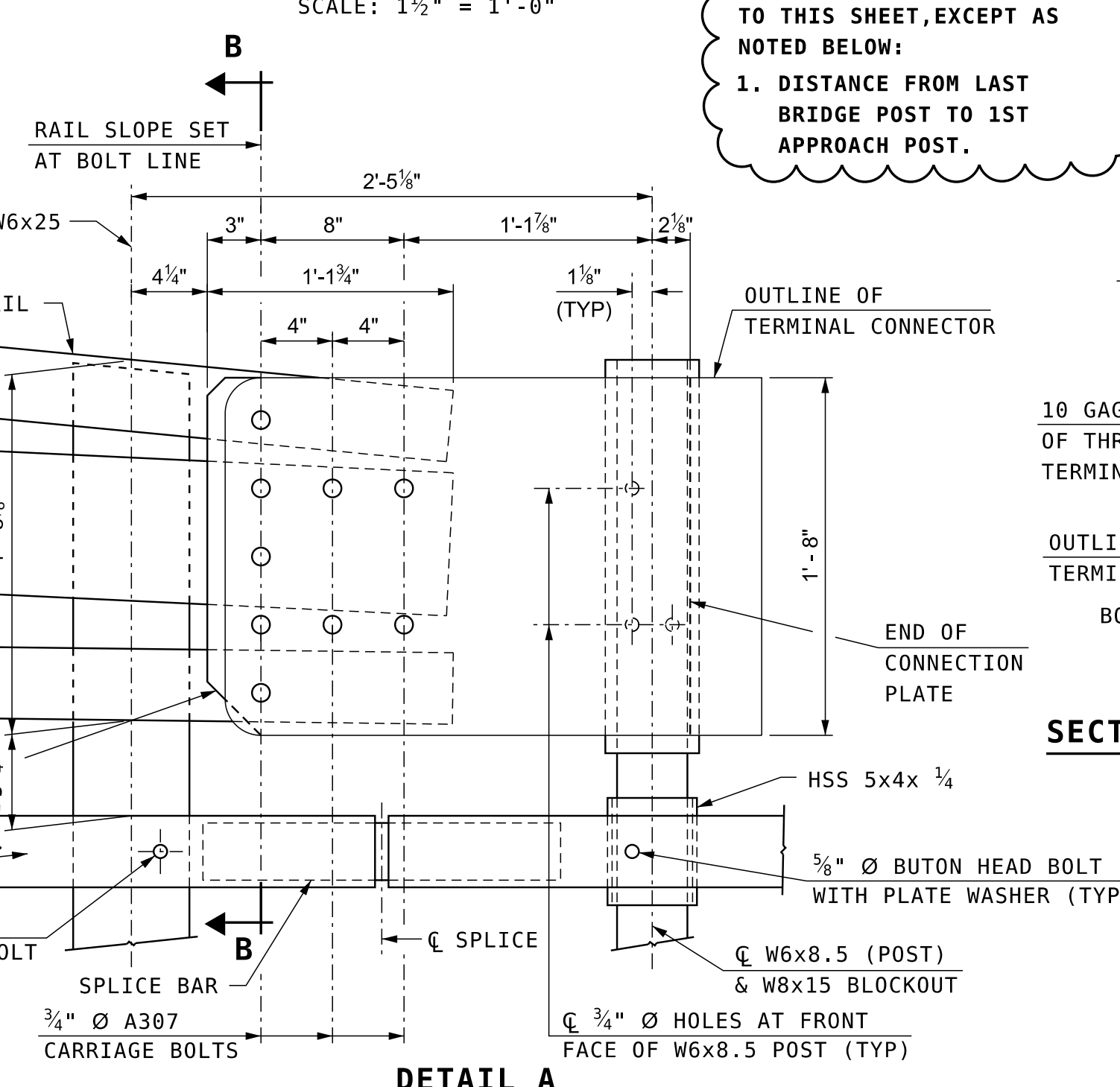
THRIE-BEAM TERMINAL CONNECTOR

SCALE: 1" = 1'-0"



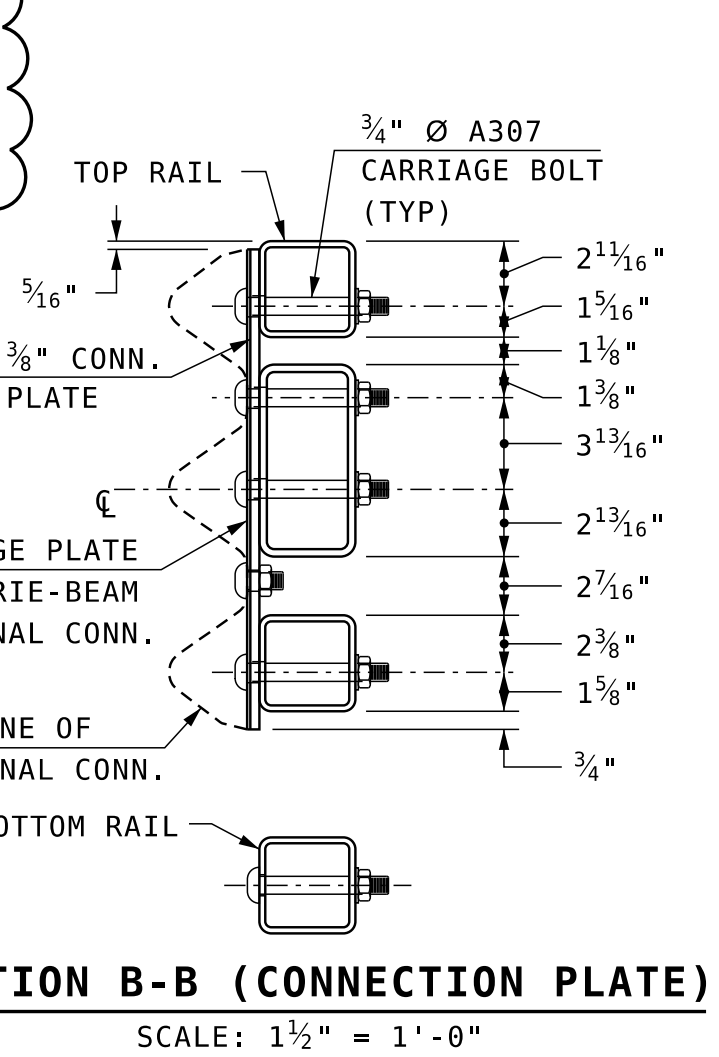
RAIL POST (W6x25)

SCALE: 1 1/2" = 1'-0"



DETAIL A

SCALE: 1 1/2" = 1'-0"



SECTION B-B (CONNECTION PLATE)

SCALE: 1 1/2" = 1'-0"

- NOTES:**
- FOR USE ON STATE, REGIONAL AND LOCAL CONNECTORS, AND LOCAL ROADS FOR SPEEDS ≤ 45 MPH.
 - MEETS MASH TL-4 BY LS-DNYA SIMULATION: "DEVELOPMENT OF MASH COMPUTER SIMULATED STEEL BRIDGE RAIL AND TRANSITION DETAILS" (NETC), APRIL 2020. FIELD PERFORMANCE CRASHWORTHINESS (29 YEARS): "IN-SERVICE PERFORMANCE EVALUATION OF NETC BRIDGE RAILING", JUNE 2022. CRASH TESTED (NETC 2005) AND ACCEPTED AS NCHRP 350 TL-4 (FHWA LETTER: HSSD/B-146, JULY 2008).
 - ALL BRIDGE APPROACH RAIL MATERIALS, DIMENSIONS, SIZES, AND NOTES SHALL BE THE SAME AS THOSE OF THE BRIDGE RAIL, UNLESS OTHERWISE NOTED. SEE BRIDGE RAIL SHEET FOR NOTES AND ADDITIONAL INFORMATION.
 - W6 x 25 POSTS SHALL BE THE SAME MATERIAL AS THE BRIDGE RAIL POSTS. W6 x 8.5 POSTS SHALL BE THE SAME AS W-BEAM GUARDRAIL POSTS.
 - CARRIAGE BOLTS SHALL BE ASTM A307, AND NUTS SHALL BE ASTM A563 GRADE A OR BETTER (GALVANIZED).
 - WELD BARS ADJUSTED FOR SLOPE & BEND. USE COMPLETE JOINT PENETRATION BUTT WELD (B-U-2).
 - ALL COMPONENTS, EXCEPT TUBULAR RAIL, SHALL CONFORM TO SECTION 606 OF NHDOT SPECIFICATIONS.

STATE OF NEW HAMPSHIRE DEPARTMENT OF TRANSPORTATION * BUREAU OF BRIDGE DESIGN									
TOWN		BRIDGE NO.		STATE PROJECT					
LOCATION		T4 STEEL BR APP RAIL (STEEL POSTS)							
BRIDGE SHEET									
XX OF									
FILE NUMBER									
DESIGNED NETC/JSZ 3/02 CHECKED NHDOT									
DRAWN PJP 10/05 CHECKED JSZ 10/05									
T4 BR-APP-RAIL									
QUANTITIES xxx xx/xx CHECKED xxx xx/xx									
SHEET SCALE									
ISSUE DATE 11/15/05 FEDERAL PROJECT NO. SHEET NO. TOTAL SHEETS									
REV. DATE 9/27/23									